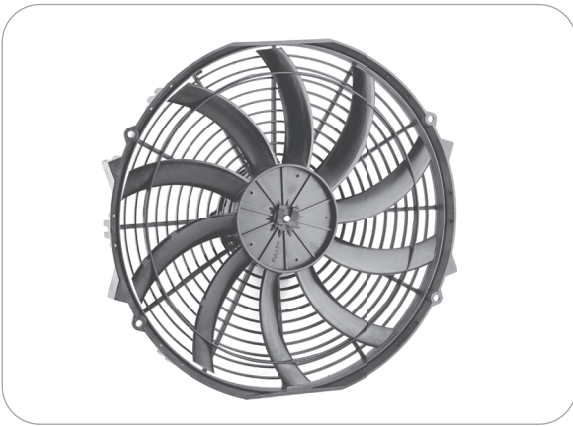
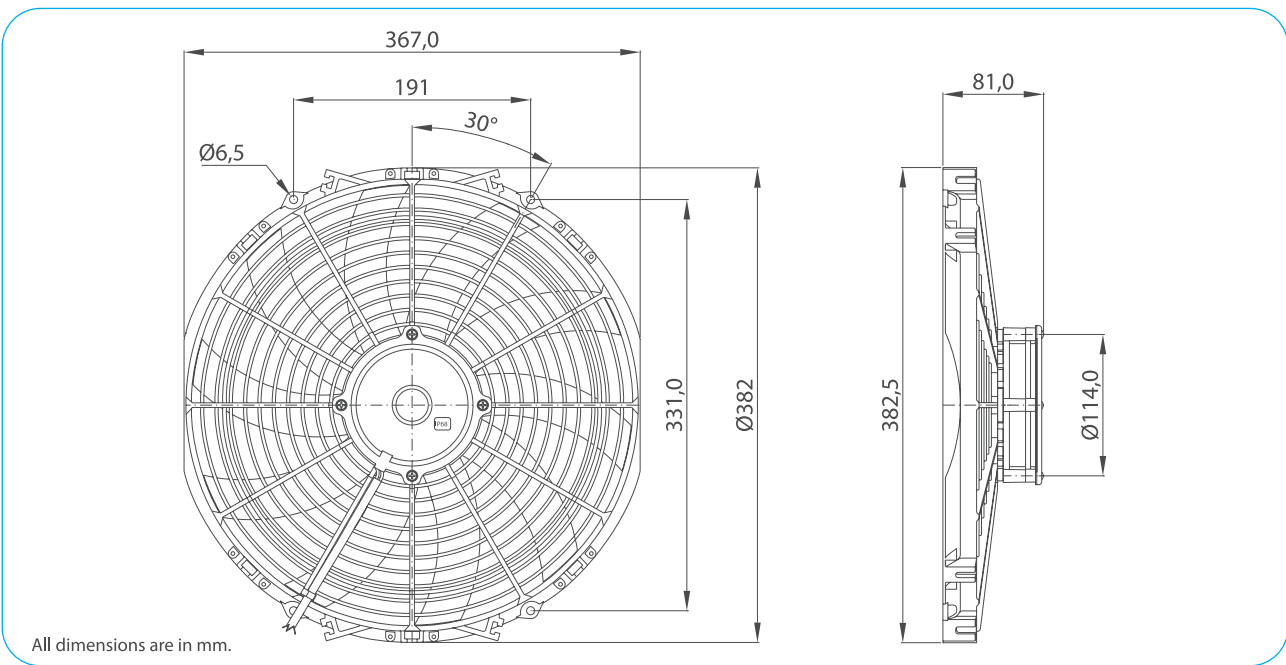


Part Numbers	Specifications	Applications	Features	Options
<b>6403370</b> PUSHER / PULLER	<b>DIAMETER 14" (350 mm)</b> <b>LOW PROFILE</b> <b>12V 225W</b>	HVAC Systems	Waterproof, IP68 (LL) Long Life Reversible Airflow High Efficiency	Mounting brackets EMC (Certified) Thermal Protector (ELL) Extreme Long Life



Test Voltage	V	13,0
Nominal Current	A	11,6
Nominal Speed	rpm	2.650
Max. St. Pressure	mmH <sub>2</sub> O	20,5
Max. Airflow	m <sup>3</sup> /h	2.825
Weight	kg	2,3



TEST VOLTAGE = 13,0 VDC	Static Pressure	Air Flow Rate	Current
	mm H <sub>2</sub> O	m <sup>3</sup> /h	A
	0,0	2824,3	11,1
	2,5	2635,3	11,7
	5,0	2414,0	12,2
	7,5	2167,6	12,6
	10,0	1912,0	12,9
	12,5	1567,1	12,9
	15,0	1070,1	12,3
	17,5	536,9	12,0
20,3	0,0	12,3	

Static Pressure: 1 mm H<sub>2</sub>O = 0,04in H<sub>2</sub>O = 9,8 Pa  
Air Flow Rate: 1 m<sup>3</sup>/h = 0,59 cfm

