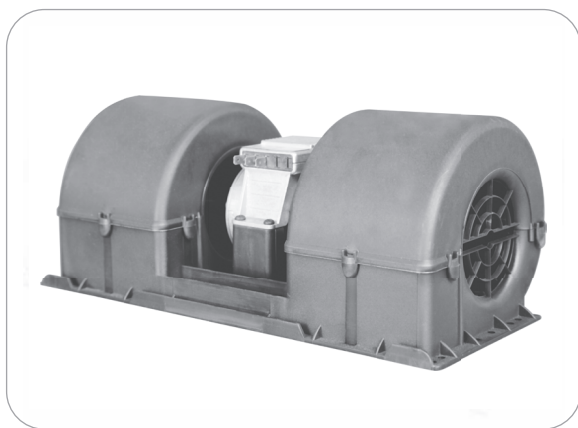
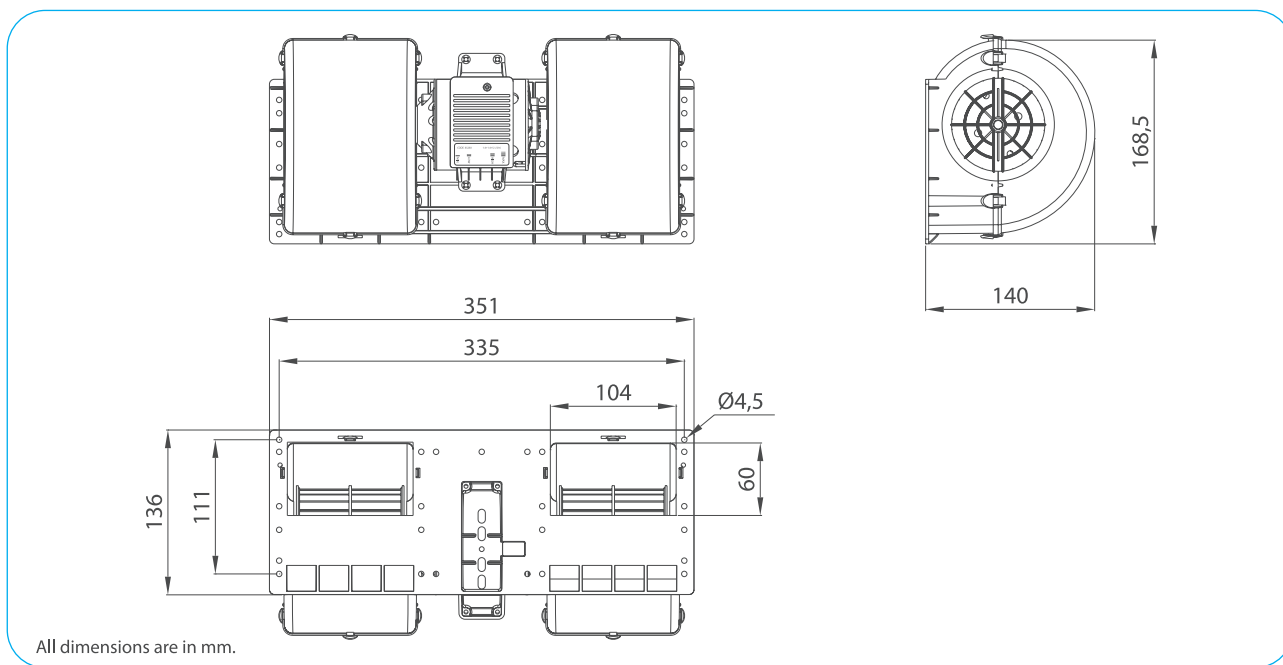


Part Numbers	Specifications	Applications	Features	Options
<b>6401782</b> THREE SPEED	<b>WIDTH 350 mm</b> <b>1200 m<sup>3</sup>/h</b> <b>12V</b>	HVAC Systems	High Pressure Silent Operation High Efficiency	PWM Speed Control EMC (Certified) Thermal Protector (LL) Long Life Version



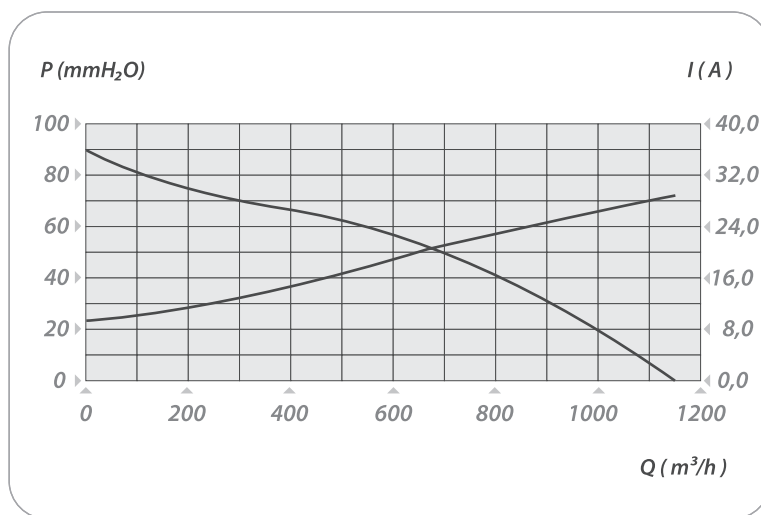
Test Voltage	V	13,0
Nominal Current	A	29,0
Nominal Speed	rpm	4.100
Max. St. Pressure	mmH <sub>2</sub> O	91,5
Max. Airflow	m <sup>3</sup> /h	1.150
Weight	kg	2,1
Airflow Rates	%	100-70-57



**TEST VOLTAGE = 13,0 VDC**

Static Pressure	Air Flow Rate	Current
mm H <sub>2</sub> O	m <sup>3</sup> /h	A
0,0	1148,7	29,2
10,0	1077,2	27,8
20,0	1007,4	26,2
30,0	923,0	24,5
40,0	821,6	23,1
50,0	727,2	21,6
60,0	578,4	18,3
70,0	343,3	13,3
80,0	148,6	10,2
91,5	0,0	9,4

Static Pressure: 1 mm H<sub>2</sub>O = 0,04in H<sub>2</sub>O = 9,8 Pa  
Air Flow Rate: 1 m<sup>3</sup>/h = 0,59 cfm



DOUBLE BLOWERS