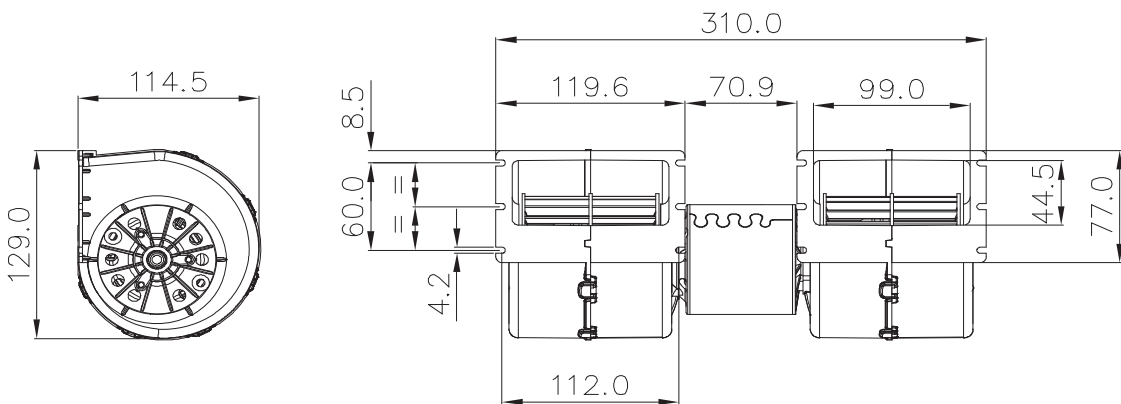


Part Numbers	Specifications	Applications	Features	Options
6401816 ONE SPEED	WIDTH 310 mm 650 m³/h 12V	HVAC Systems	Waterproof, IP68 (LL) Long Life High Efficiency	Mounting brackets EMC (Certified) Thermal Protector (ELL) Extreme Long Life



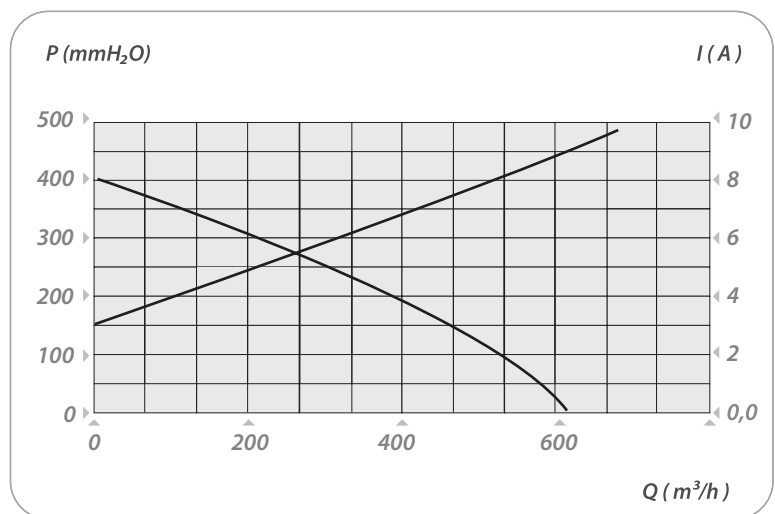
Test Voltage	V	13,0
Nominal Current	A	13,0
Nominal Speed	rpm	3.750
Max. St. Pressure	mmH ₂ O	560
Max. Airflow	m ³ /h	665
Weight	kg	1,4



All dimensions are in mm.

TEST VOLTAGE = 13,0 VDC	Static Pressure	Air Flow Rate	Current
	mm H ₂ O	m ³ /h	A
	0,0	618,0	9,0
	2,5	577,0	8,7
	5,0	533,5	8,1
	10,0	483,0	7,6
	15,0	426,5	6,8
	20,0	341,0	5,9
	25,0	203,0	4,5
	30,0	89,3	3,6
35,0	20,1	3,3	
41,8	0,0	3,2	

Static Pressure: 1 mm H₂O = 0,04in H₂O = 9,8 Pa
Air Flow Rate: 1 m³/h = 0,59 cfm



2 X SINGLE BLOWERS