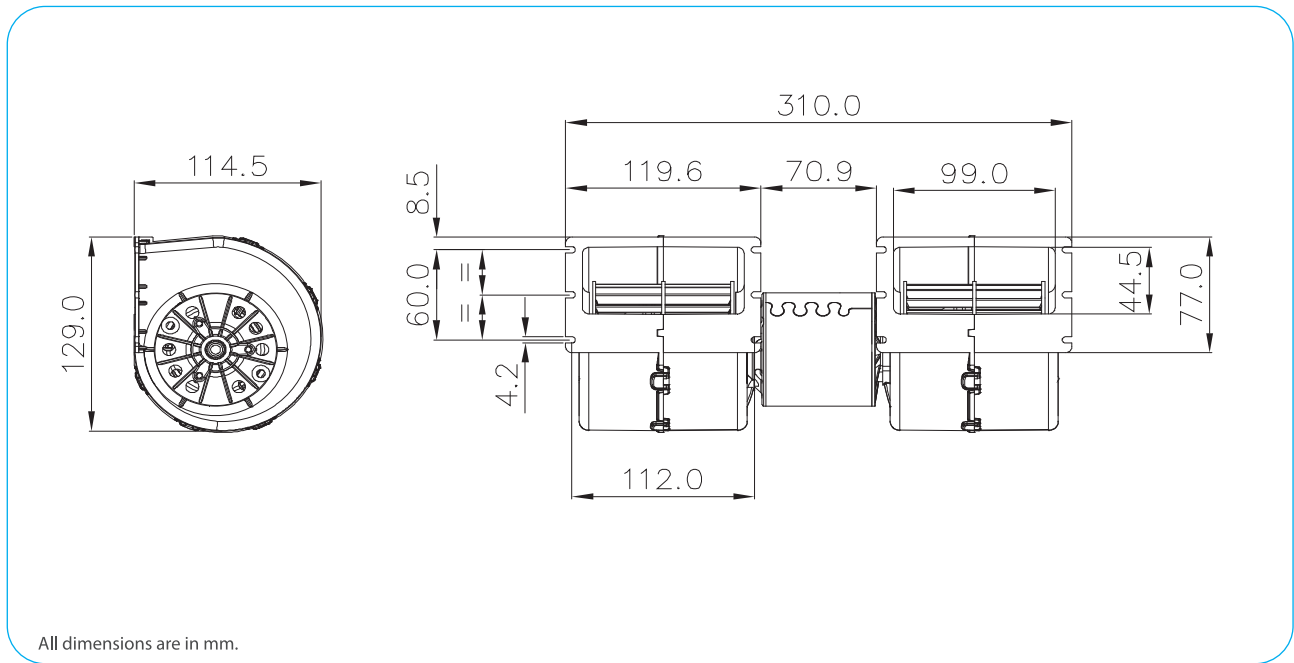


2 X SINGLE BLOWERS

| Part Numbers | Specifications | Applications | Features | Options |
|-----------------------------|---|--------------|---|--|
| 6401817 ONE SPEED | WIDTH 310 mm 650 m³/h 24V | HVAC Systems | Waterproof, IP68 (LL) Long Life High Efficiency | Mounting brackets EMC (Certified) Thermal Protector (ELL) Extreme Long Life |



| | | |
|-------------------|--------------------|-------|
| Test Voltage | V | 26,0 |
| Nominal Current | A | 6,5 |
| Nominal Speed | rpm | 3.750 |
| Max. St. Pressure | mmH ₂ O | 560 |
| Max. Airflow | m ³ /h | 665 |
| Weight | kg | 1,4 |



| TEST VOLTAGE = 13,0 VDC | Static Pressure | Air Flow Rate | Current |
|-------------------------|---------------------|-------------------|---------|
| | mm H ₂ O | m ³ /h | A |
| | 0,0 | 627,0 | 4,6 |
| 5,0 | 576,4 | 4,4 | |
| 10,0 | 533,5 | 4,1 | |
| 15,0 | 484,6 | 3,8 | |
| 20,0 | 427,5 | 3,4 | |
| 25,0 | 342,6 | 2,9 | |
| 30,0 | 204,5 | 2,3 | |
| 35,0 | 89,8 | 1,8 | |
| 40,0 | 19,8 | 1,6 | |
| 42,1 | 0,0 | 1,6 | |

Static Pressure: 1 mm H₂O = 0,04in H₂O = 9,8 Pa
Air Flow Rate: 1 m³/h = 0,59 cfm

