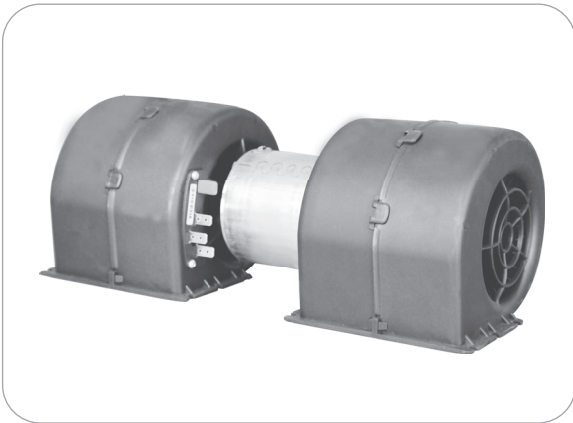
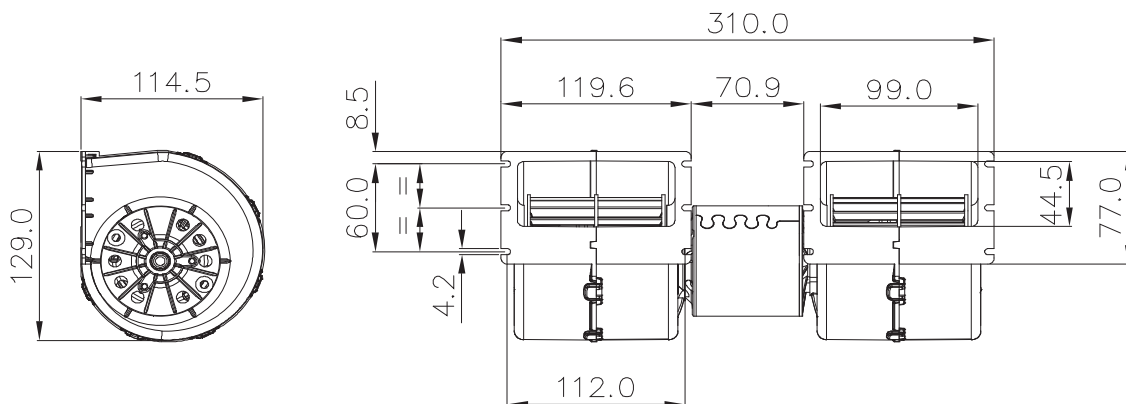


Part Numbers	Specifications	Applications	Features	Options
<b>6401818</b> THREE SPEED	<b>WIDTH 310 mm</b> <b>650 m<sup>3</sup>/h</b> <b>12V</b>	HVAC Systems	Waterproof, IP68 (LL) Long Life High Efficiency	Mounting brackets EMC (Certified) Thermal Protector (ELL) Extreme Long Life



Test Voltage	V	13,0
Nominal Current	A	13,0
Nominal Speed	rpm	3.750
Max. St. Pressure	mmH <sub>2</sub> O	560
Max. Airflow	m <sup>3</sup> /h	665
Weight	kg	1,5
Airflow Rates	%	100-70-57



All dimensions are in mm.

TEST VOLTAGE = 13,0 VDC	Static Pressure	Air Flow Rate	Current
	mm H <sub>2</sub> O	m <sup>3</sup> /h	A
	0,0	618,0	9,0
2,5	577,0	8,7	
5,0	533,5	8,1	
10,0	483,0	7,6	
15,0	426,5	6,8	
20,0	341,0	5,9	
25,0	203,0	4,5	
30,0	89,3	3,6	
35,0	20,1	3,3	
41,8	0,0	3,2	

Static Pressure: 1 mm H<sub>2</sub>O = 0,04in H<sub>2</sub>O = 9,8 Pa  
Air Flow Rate: 1 m<sup>3</sup>/h = 0,59 cfm

