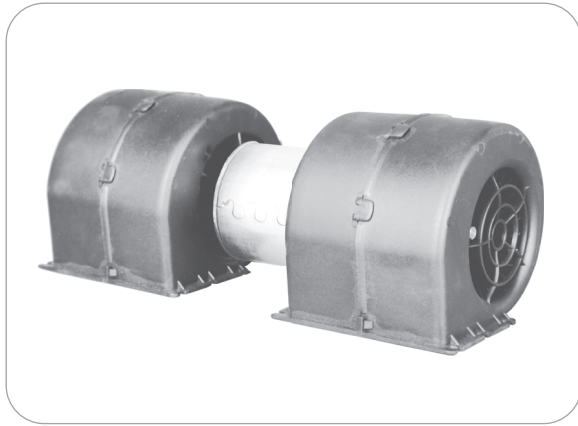
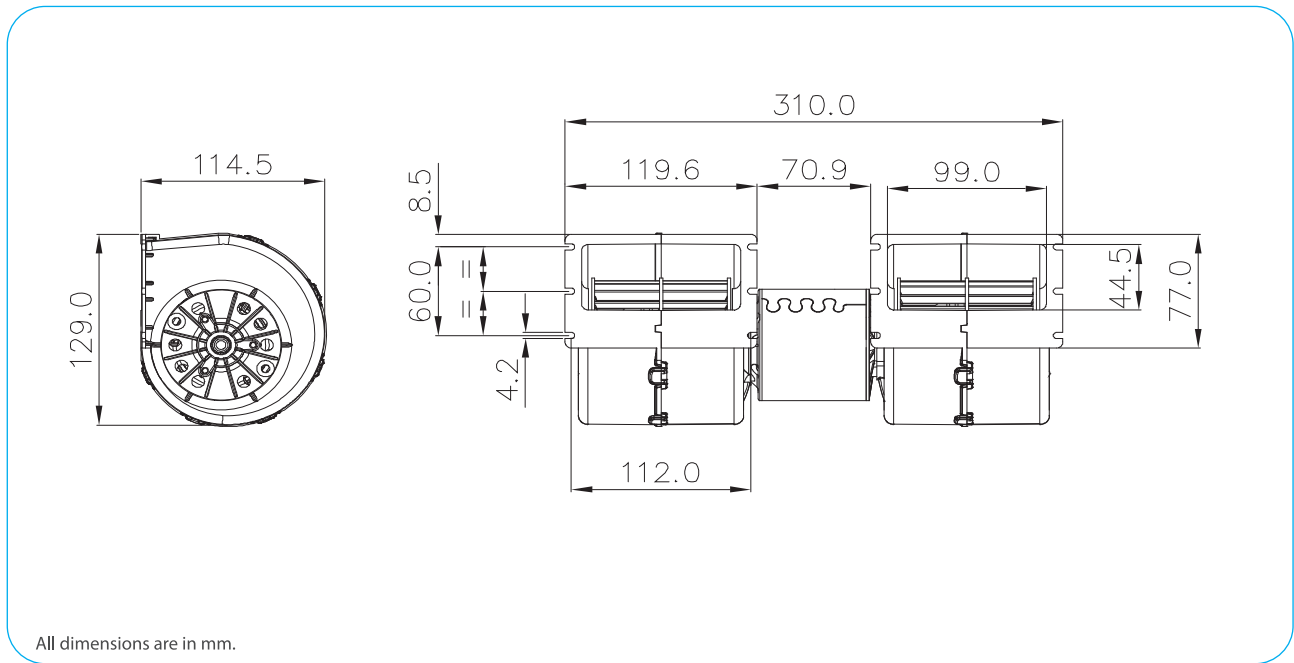


2 X SINGLE BLOWERS

Part Numbers	Specifications	Applications	Features	Options
6401821 ONE SPEED	WIDTH 310 mm 750 m³/h 24V	HVAC Systems	Waterproof, IP68 (LL) Long Life High Efficiency	Mounting brackets EMC (Certified) Thermal Protector (ELL) Extreme Long Life



Test Voltage	V	26,0
Nominal Current	A	8,5
Nominal Speed	rpm	4.150
Max. St. Pressure	mmH ₂ O	650
Max. Airflow	m ³ /h	745
Weight	kg	1,4



All dimensions are in mm.

TEST VOLTAGE = 26,0 VDC	Static Pressure	Air Flow Rate	Current
	mm H ₂ O	m ³ /h	A
	0,0	745,0	8,6
5,0	712,0	8,3	
10,0	677,5	8,0	
15,0	644,0	7,7	
20,0	605,1	7,3	
30,0	516,8	6,4	
40,0	375,0	5,3	
50,0	198,5	4,1	
60,0	66,7	3,5	
66,0	0,0	3,4	

Static Pressure: 1 mm H₂O = 0,04in H₂O = 9,8 Pa
Air Flow Rate: 1 m³/h = 0,59 cfm

