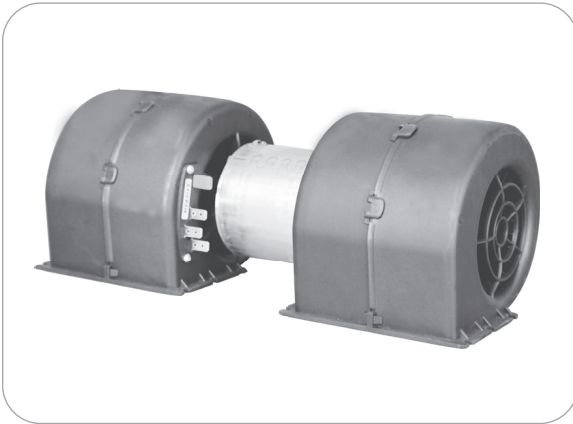
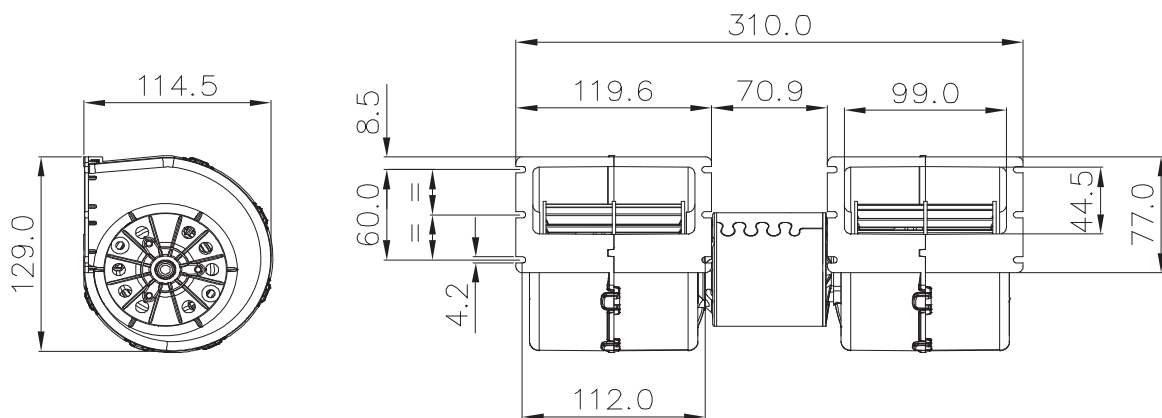


Part Numbers	Specifications	Applications	Features	Options
6401822 THREE SPEED	WIDTH 310 mm 750 m³/h 12V	HVAC Systems	Waterproof, IP68 (LL) Long Life High Efficiency	Mounting brackets EMC (Certified) Thermal Protector (ELL) Extreme Long Life



Test Voltage	V	13,0
Nominal Current	A	17,0
Nominal Speed	rpm	4.150
Max. St. Pressure	mmH ₂ O	650
Max. Airflow	m ³ /h	745
Weight	kg	1,5
Airflow	%	100-68-53



All dimensions are in mm.

Static Pressure	Air Flow Rate	Current
	mm H ₂ O	m ³ /h
0,0	743,0	17,2
5,0	711,8	16,6
10,0	678,8	16,0
15,0	643,0	15,3
20,0	604,2	14,6
30,0	517,7	12,9
40,0	376,3	10,6
50,0	198,0	8,2
60,0	66,2	7,0
66,1	0,0	6,7

TEST VOLTAGE = 13,0 VDC

Static Pressure: 1 mm H₂O = 0,04in H₂O = 9,8 Pa
Air Flow Rate: 1 m³/h = 0,59 cfm

