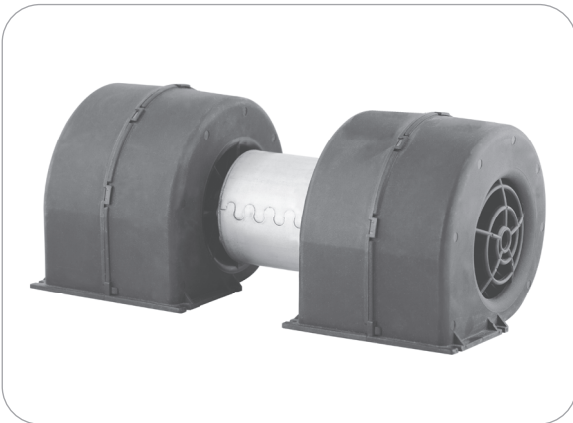
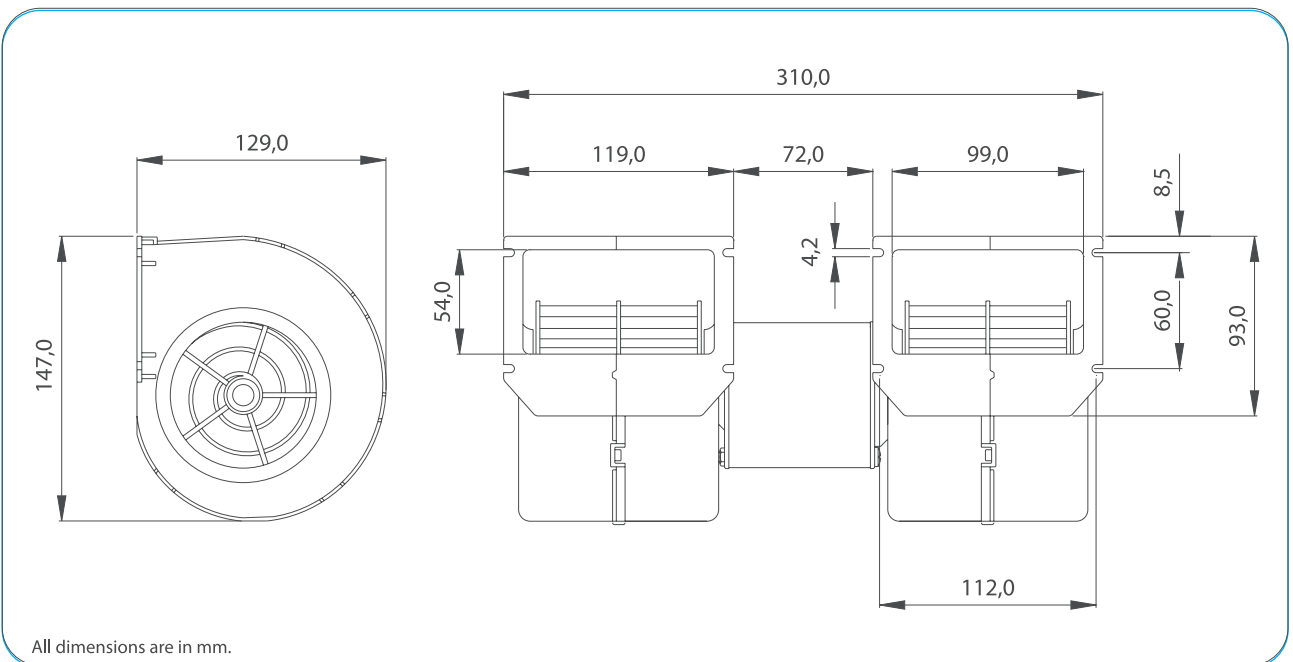


Part Numbers	Specifications	Applications	Features	Options
<b>6401559</b> ONE SPEED	<b>WIDTH 310 mm</b> <b>750 m<sup>3</sup>/h</b> <b>12V</b>	HVAC Systems	High Pressure Silent Operation High Efficiency	Speed Control EMC (Certified) Thermal Protector (LL) Long Life Version



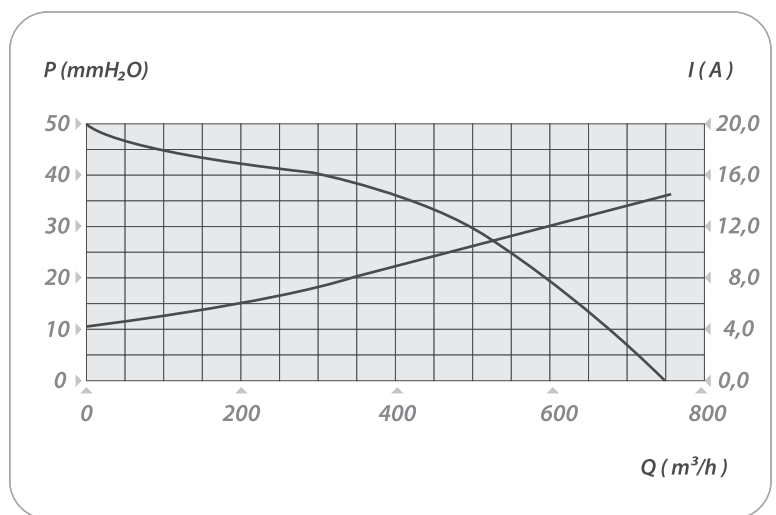
Test Voltage	V	13,0
Nominal Current	A	14,5
Nominal Speed	rpm	3.750
Max. St. Pressure	mmH <sub>2</sub> O	51,5
Max. Airflow	m <sup>3</sup> /h	760
Weight	kg	1,8



**TEST VOLTAGE = 13,0 VDC**

Static Pressure	Air Flow Rate	Current
mm H <sub>2</sub> O	m <sup>3</sup> /h	A
0,0	757,3	14,4
5,0	722,4	13,8
10,0	686,4	13,3
15,0	647,7	12,7
20,0	607,6	12,0
25,0	546,9	11,5
30,0	509,0	10,6
35,0	427,6	9,3
40,0	319,7	7,6
51,6	0,0	4,2

Static Pressure: 1 mm H<sub>2</sub>O = 0,04in H<sub>2</sub>O = 9,8 Pa  
Air Flow Rate: 1 m<sup>3</sup>/h = 0,59 cfm



2 X SINGLE BLOWERS