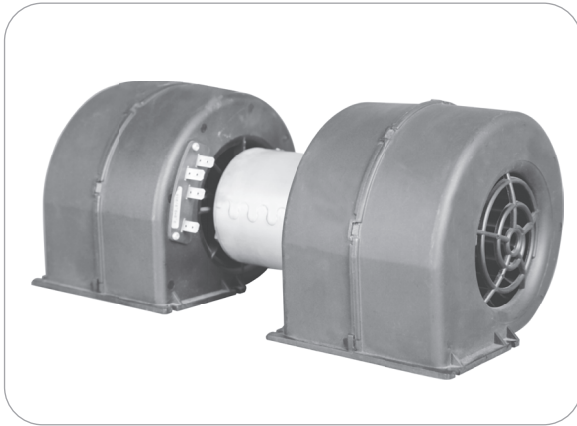
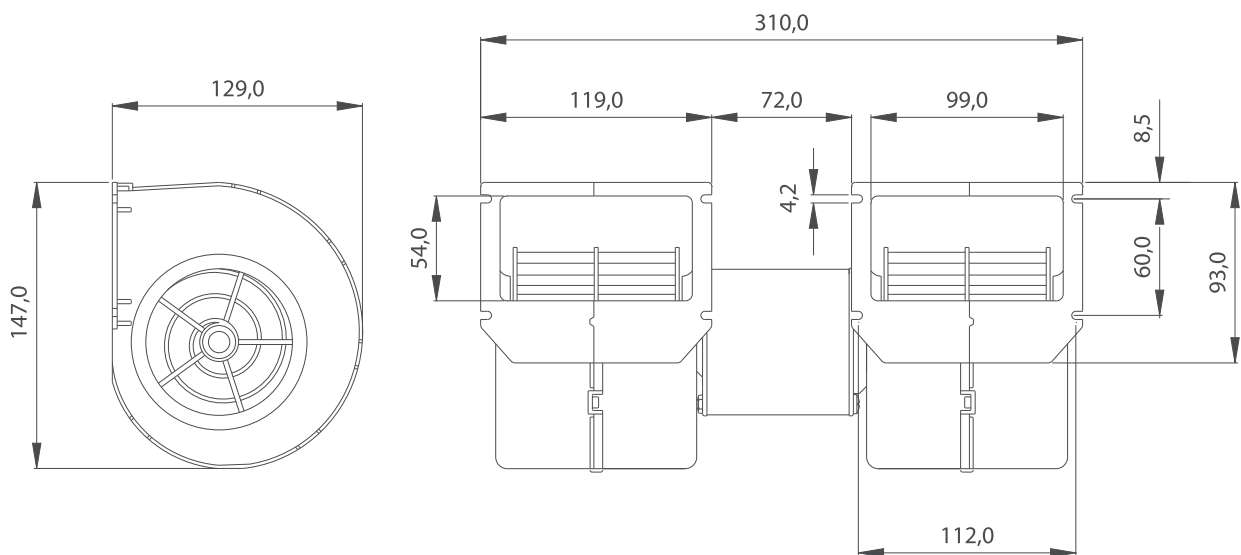


Part Numbers	Specifications	Applications	Features	Options
6401775 THREE SPEED	WIDTH 310 mm 750 m³/h 12V	HVAC Systems	High Pressure Silent Operation High Efficiency	PWM Speed Control EMC (Certified) Thermal Protector (LL) Long Life Version



Test Voltage	V	13,0
Nominal Current	A	14,5
Nominal Speed	rpm	3.750
Max. St. Pressure	mmH ₂ O	51,5
Max. Airflow	m ³ /h	760
Weight	kg	1,9
Airflow Rates	%	100-71-58



All dimensions are in mm.

TEST VOLTAGE = 13,0 VDC	Static Pressure	Air Flow Rate	Current
	mm H ₂ O	m ³ /h	A
	0,0	757,3	14,4
	5,0	722,4	13,8
	10,0	686,4	13,3
	15,0	647,7	12,7
	20,0	607,6	12,0
	25,0	546,9	11,5
	30,0	509,0	10,6
	35,0	427,6	9,3
40,0	319,7	7,6	
51,6	0,0	4,2	

Static Pressure: 1 mm H₂O = 0,04in H₂O = 9,8 Pa

