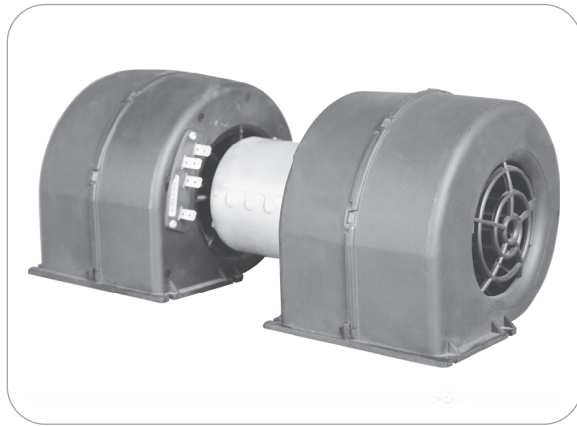
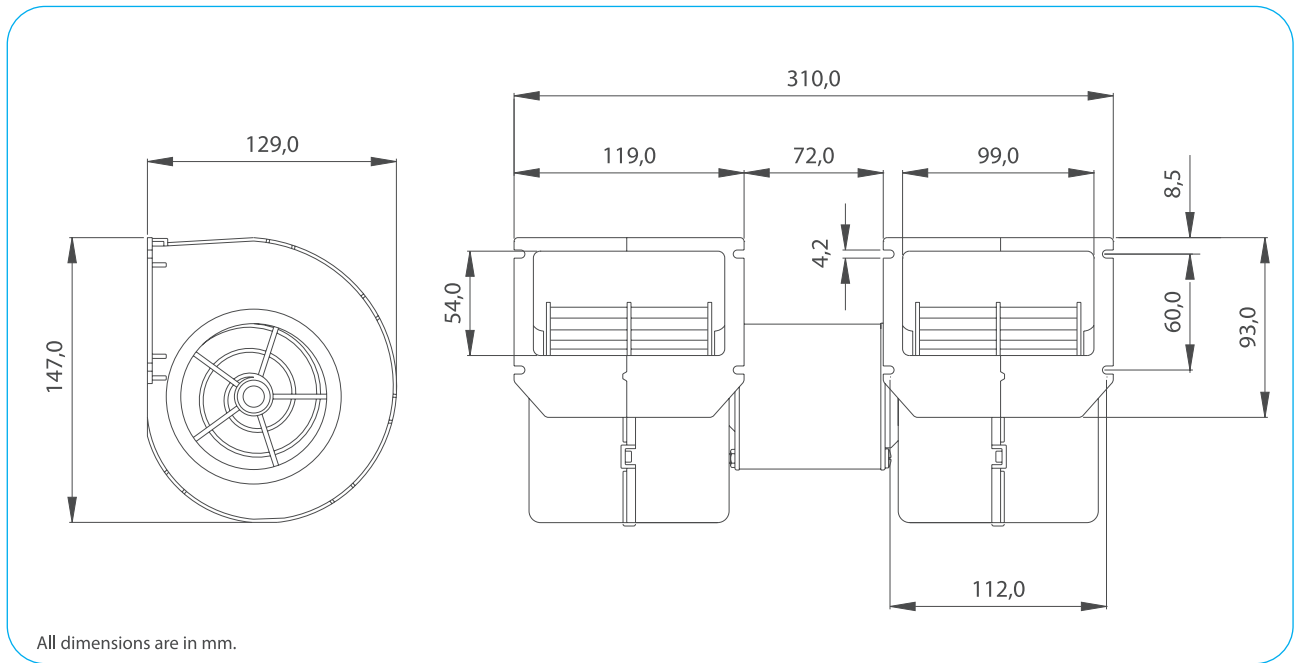


2 X SINGLE BLOWERS

Part Numbers	Specifications	Applications	Features	Options
6401776 THREE SPEED	WIDTH 310 mm 750 m³/h 24V	HVAC Systems	High Pressure Silent Operation High Efficiency	PWM Speed Control EMC (Certified) Thermal Protector (LL) Long Life Version



Test Voltage	V	26,0
Nominal Current	A	7,5
Nominal Speed	rpm	3.750
Max. St. Pressure	mmH ₂ O	53,0
Max. Airflow	m ³ /h	780
Weight	kg	1,9
Airflow Rates	%	100-71-58



TEST VOLTAGE = 26,0 VDC	Static Pressure	Air Flow Rate	Current
	mm H ₂ O	m ³ /h	A
	0,0	778,2	7,5
	5,0	743,5	7,3
	10,0	707,9	7,0
	15,0	669,3	6,7
	20,0	629,0	6,3
	25,0	584,5	6,0
	30,0	525,5	5,5
	35,0	444,0	4,8
	40,0	340,6	4,0
	53,1	0,0	2,1

Static Pressure: 1 mm H₂O = 0,04in H₂O = 9,8 Pa
Air Flow Rate: 1 m³/h = 0,59 cfm

