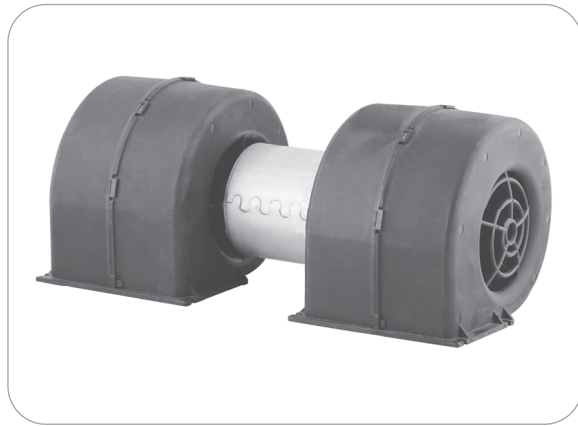
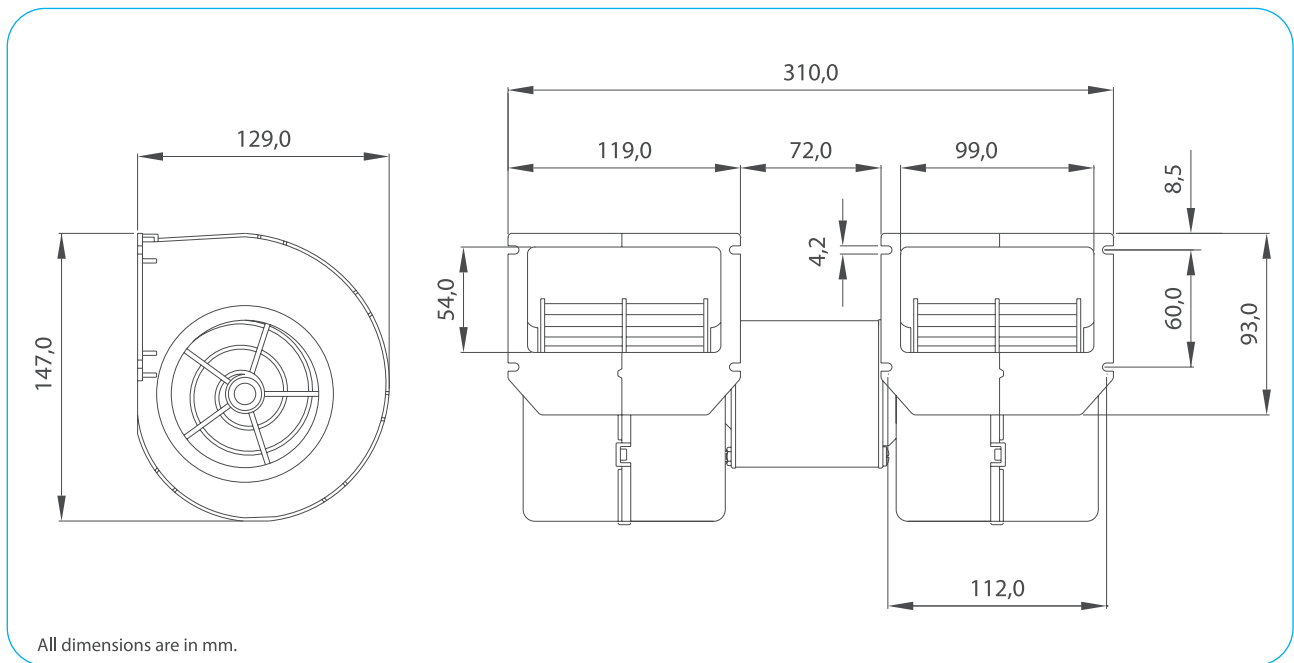


Part Numbers	Specifications	Applications	Features	Options
<b>6401774</b> ONE SPEED	<b>WIDTH 310 mm</b> <b>850 m<sup>3</sup>/h</b> <b>24V</b>	HVAC Systems	High Pressure Silent Operation High Efficiency	Speed Control EMC (Certified) Thermal Protector (LL) Long Life Version



Test Voltage	V	26,0
Nominal Current	A	10,0
Nominal Speed	rpm	4.200
Max. St. Pressure	mmH <sub>2</sub> O	69,0
Max. Airflow	m <sup>3</sup> /h	850
Weight	kg	1,8



TEST VOLTAGE = 26,0 VDC	Static Pressure	Air Flow Rate	Current
	mm H <sub>2</sub> O	m <sup>3</sup> /h	A
	0,0	848,8	9,9
	5,0	817,7	9,6
	10,0	786,2	9,4
	15,0	753,0	9,1
	20,0	719,6	8,7
	30,0	652,2	8,1
	40,0	566,9	7,3
	50,0	417,8	5,8
60,0	195,0	4,0	
69,0	0,0	2,7	

Static Pressure: 1 mm H<sub>2</sub>O = 0,04in H<sub>2</sub>O = 9,8 Pa  
Air Flow Rate: 1 m<sup>3</sup>/h = 0,59 cfm

