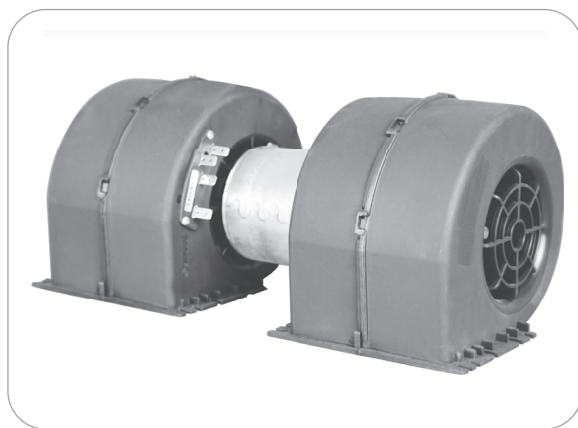
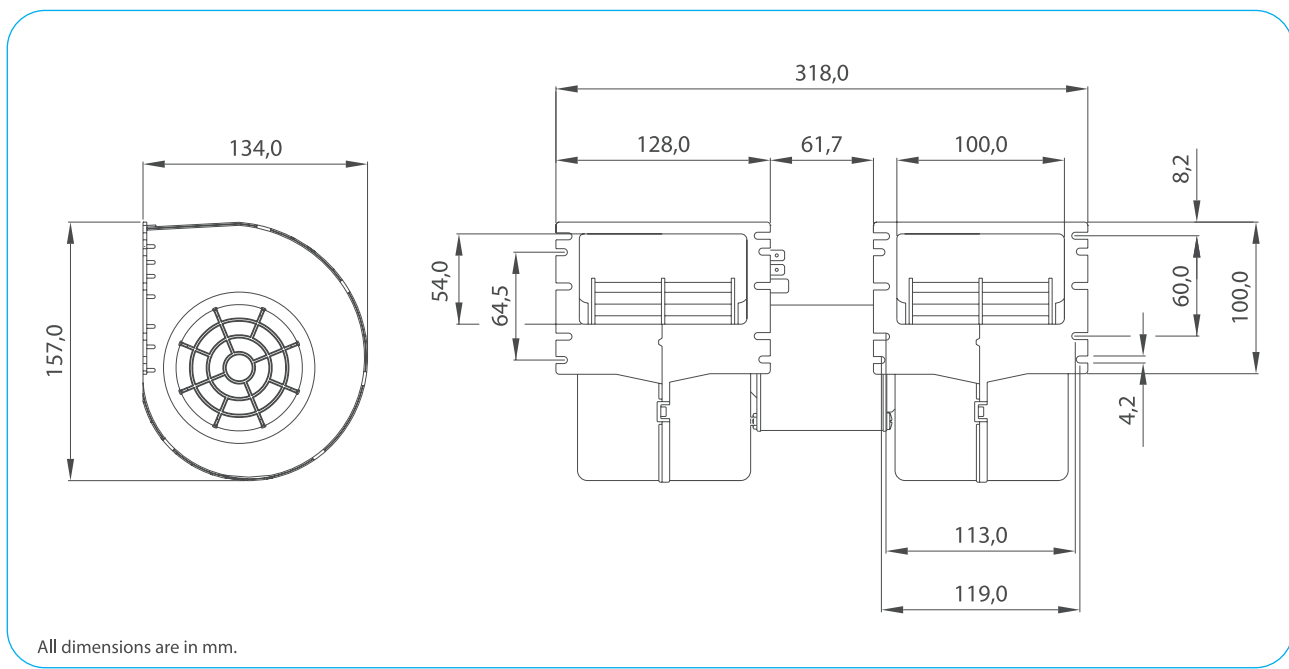


Part Numbers	Specifications	Applications	Features	Options
6401721 THREE SPEED	WIDTH 318 mm 800 m³/h 24V	HVAC Systems	High Pressure Silent Operation High Efficiency	PWM Speed Control EMC (Certified) Thermal Protector (LL) Long Life Version



Test Voltage	V	26,0
Nominal Current	A	8,0
Nominal Speed	rpm	3.950
Max. St. Pressure	mmH ₂ O	60,5
Max. Airflow	m ³ /h	800
Weight	kg	2,0
Airflow Rates	%	100-67-53



TEST VOLTAGE = 26,0 VDC	Static Pressure	Air Flow Rate	Current
	mm H ₂ O	m ³ /h	A
	0,0	794,7	7,8
	5,0	765,6	7,6
	10,0	732,9	7,3
	15,0	692,3	6,9
	20,0	647,0	6,5
	25,0	602,7	6,1
	30,0	561,1	5,9
	40,0	411,7	4,7
50,0	186,4	3,0	
60,5	0,0	2,0	

Static Pressure: 1 mm H₂O = 0,04in H₂O = 9,8 Pa
Air Flow Rate: 1 m³/h = 0,59 cfm

