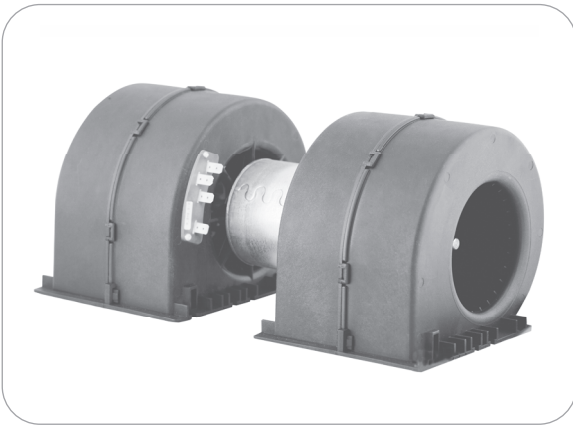
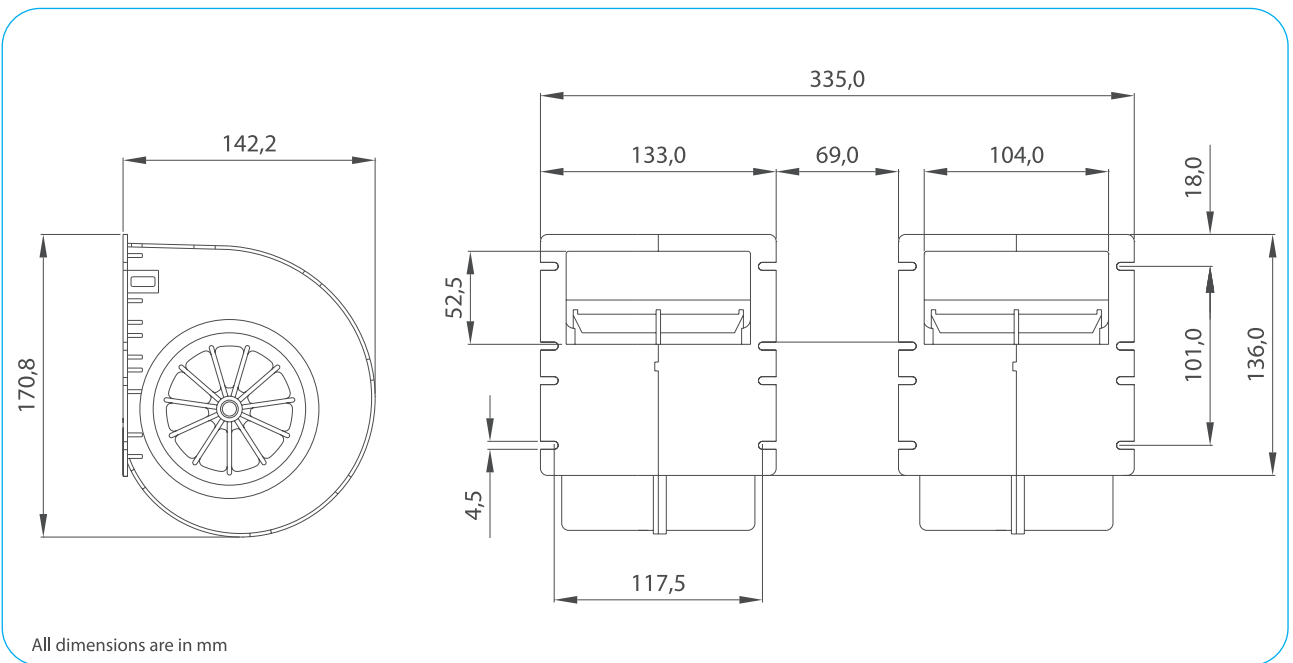


Part Numbers	Specifications	Applications	Features	Options
6401724 THREE SPEED	WIDTH 335 mm 1000 m³/h 12V	HVAC Systems	High Pressure Silent Operation High Efficiency	PWM Speed Control EMC (Certified) Thermal Protector (LL) Long Life Version

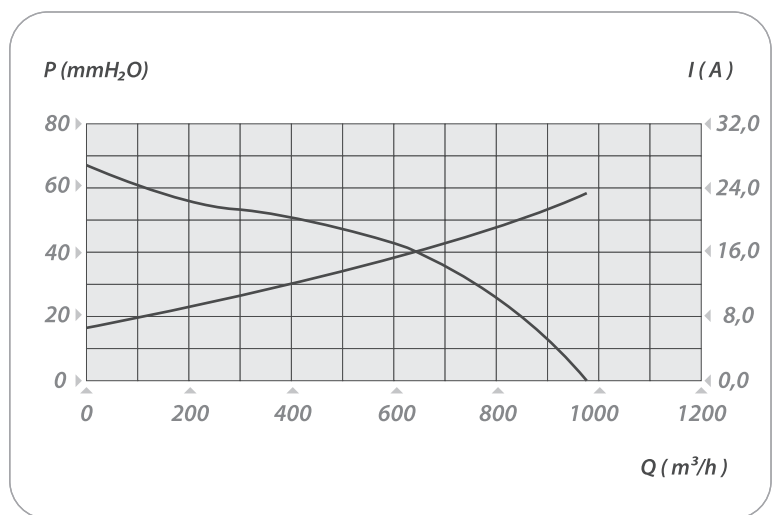


Test Voltage	V	13,0
Nominal Current	A	23,0
Nominal Speed	rpm	3.400
Max. St. Pressure	mmH ₂ O	67,5
Max. Airflow	m ³ /h	1.000
Weight	kg	2,3
Airflow Rates	%	100-70-57



TEST VOLTAGE = 13,0 VDC	Static Pressure	Air Flow Rate	Current
	mm H ₂ O	m ³ /h	A
	0,0	999,5	22,8
	5,0	980,3	22,5
	10,0	955,6	22,1
	15,0	919,9	21,4
	20,0	872,4	20,3
	30,0	779,3	18,2
	40,0	647,1	15,7
	50,0	400,7	11,4
60,0	157,3	8,1	
67,6	0,0	6,6	

Static Pressure: 1 mm H₂O = 0,04in H₂O = 9,8 Pa
Air Flow Rate: 1 m³/h = 0,59 cfm



2 X SINGLE BLOWERS