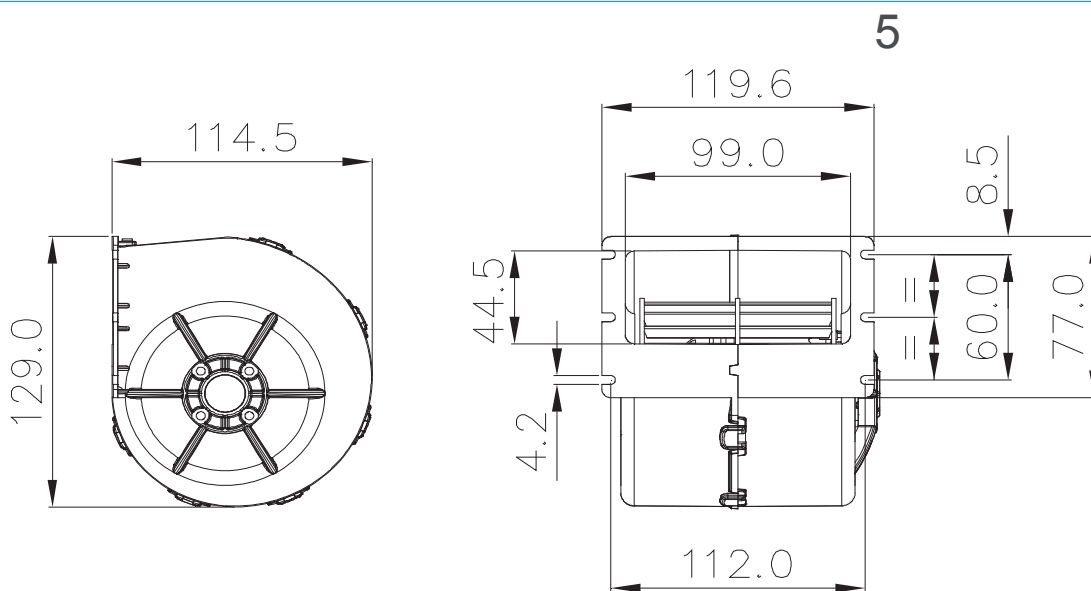


Part Numbers	Specifications	Applications	Features	Options
6401812 ONE SPEED	HEIGHT 114 mm 260 m³/h 12V	HVAC Systems	Waterproof, IP68 (LL) Long Life High Efficiency	Mounting brackets EMC (Certified) Thermal Protector (ELL) Extreme Long Life



Test Voltage	V	13,0
Nominal Current	A	4,5
Nominal Speed	rpm	3.600
Max. St. Pressure	mmH ₂ O	390
Max. Airflow	m ³ /h	260
Weight	kg	0,7



All dimensions are in mm.

TEST VOLTAGE = 13,0 VDC	Static Pressure	Air Flow Rate	Current
	mm H ₂ O	m ³ /h	A
	0,0	261,0	4,5
	2,5	253,6	4,5
	5,0	246,4	4,4
	10,0	227,0	4,2
	15,0	199,7	4,0
	20,0	172,7	3,7
	25,0	142,5	3,4
	30,0	101,6	3,0
	35,0	51,2	2,6
	39,0	0,0	2,1

Static Pressure: 1 mm H₂O = 0,04 in H₂O = 9,8 Pa
Air Flow Rate: 1 m³/h = 0,59 cfm

