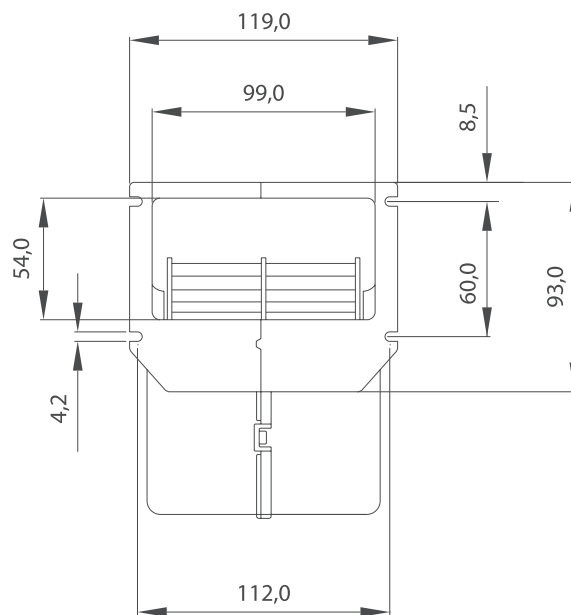
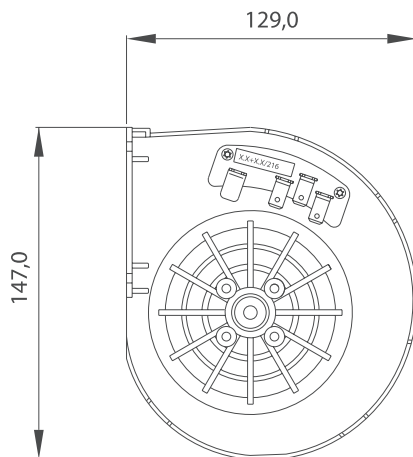


Part Numbers	Specifications	Applications	Features	Options
<b>6401533</b> THREE SPEED	<b>HEIGHT 128 mm</b> <b>350 m<sup>3</sup>/h</b> <b>12V</b>	HVAC Systems	High Pressure Compact Design High Efficiency	PWM Speed Control EMC (Certified) Thermal Protector



Test Voltage	V	13,0
Nominal Current	A	8,3
Nominal Speed	rpm	3.750
Max. St. Pressure	mmH <sub>2</sub> O	60,0
Max. Airflow	m <sup>3</sup> /h	340
Weight	kg	0,8
Airflow Rates	%	100-82-70



All dimensions are in mm.

TEST VOLTAGE = 13,0 VDC	Static Pressure	Air Flow Rate	Current
	mm H <sub>2</sub> O	m <sup>3</sup> /h	A
	0,0	338,7	8,0
	5,0	323,1	7,7
	10,0	307,0	7,4
	15,0	289,8	7,2
	20,0	271,1	6,9
	30,0	250,9	6,3
	40,0	228,6	5,2
	50,0	170,1	4,0
60,0	90,0	3,0	
59,8	0,0	3,0	

Static Pressure: 1 mm H<sub>2</sub>O = 0,04in H<sub>2</sub>O = 9,8 Pa  
Air Flow Rate: 1 m<sup>3</sup>/h = 0,59 cfm

