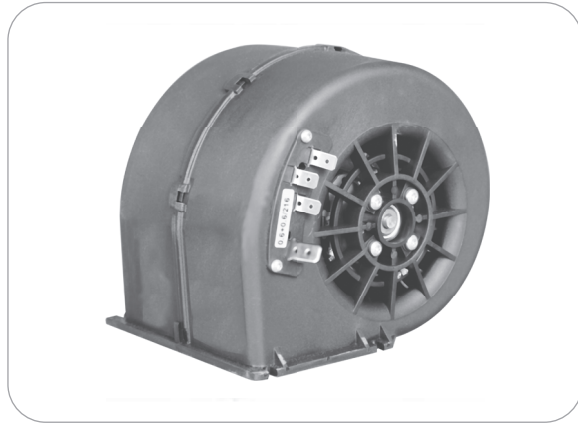
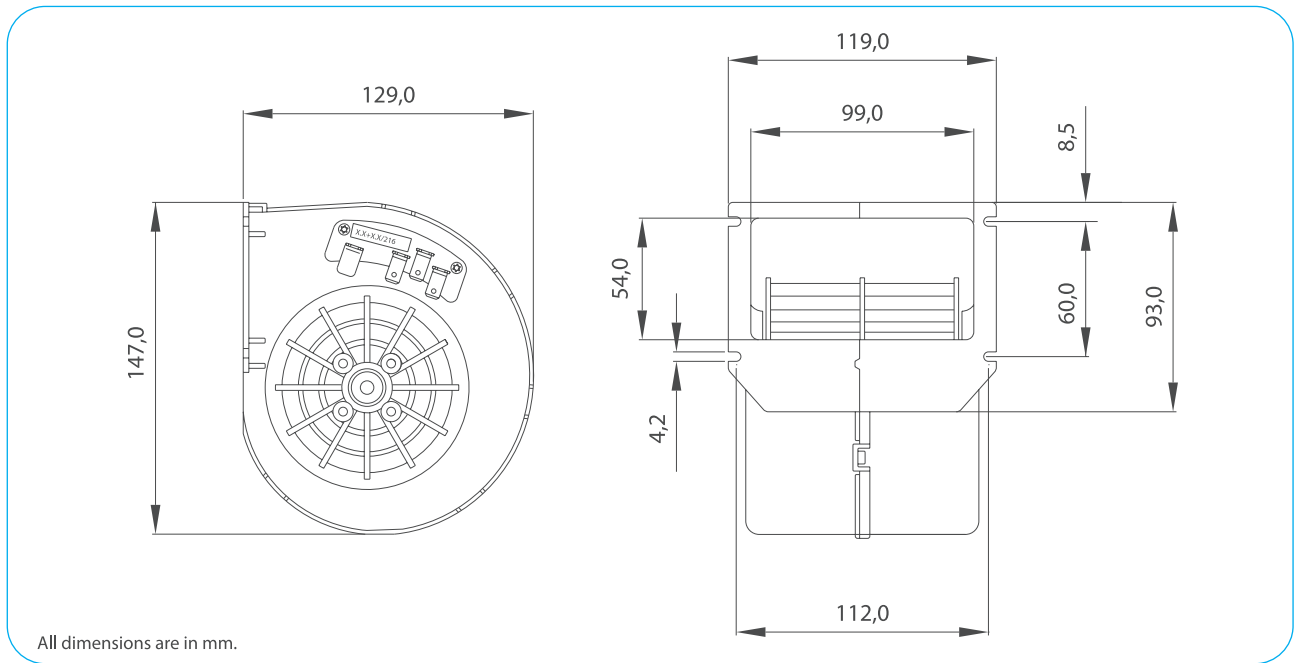


Part Numbers	Specifications	Applications	Features	Options
<b>6401534</b> THREE SPEED	<b>HEIGHT 128 mm</b> <b>350 m<sup>3</sup>/h</b> <b>24V</b>	HVAC Systems	High Pressure Compact Design High Efficiency	PWM Speed Control EMC (Certified) Thermal Protector



Test Voltage	V	26,0
Nominal Current	A	4,5
Nominal Speed	rpm	3.750
Max. St. Pressure	mmH <sub>2</sub> O	64,0
Max. Airflow	m <sup>3</sup> /h	350
Weight	kg	0,8
Airflow Rates	%	100-82-70



TEST VOLTAGE = 26,0 VDC	Static Pressure	Air Flow Rate	Current
	mm H <sub>2</sub> O	m <sup>3</sup> /h	A
	0,0	350,9	4,4
	5,0	337,0	4,2
	10,0	322,2	4,0
	15,0	305,6	3,9
	20,0	287,7	3,8
	30,0	252,0	3,5
	40,0	205,5	3,1
	50,0	132,3	2,4
60,0	38,5	1,8	
63,8	0,0	1,6	

Static Pressure: 1 mm H<sub>2</sub>O = 0,04in H<sub>2</sub>O = 9,8 Pa  
Air Flow Rate: 1 m<sup>3</sup>/h = 0,59 cfm

