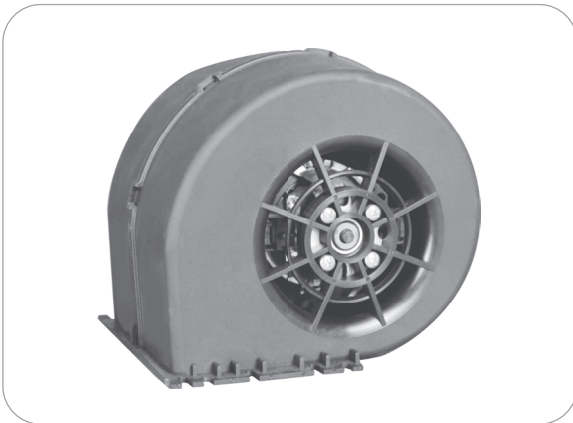
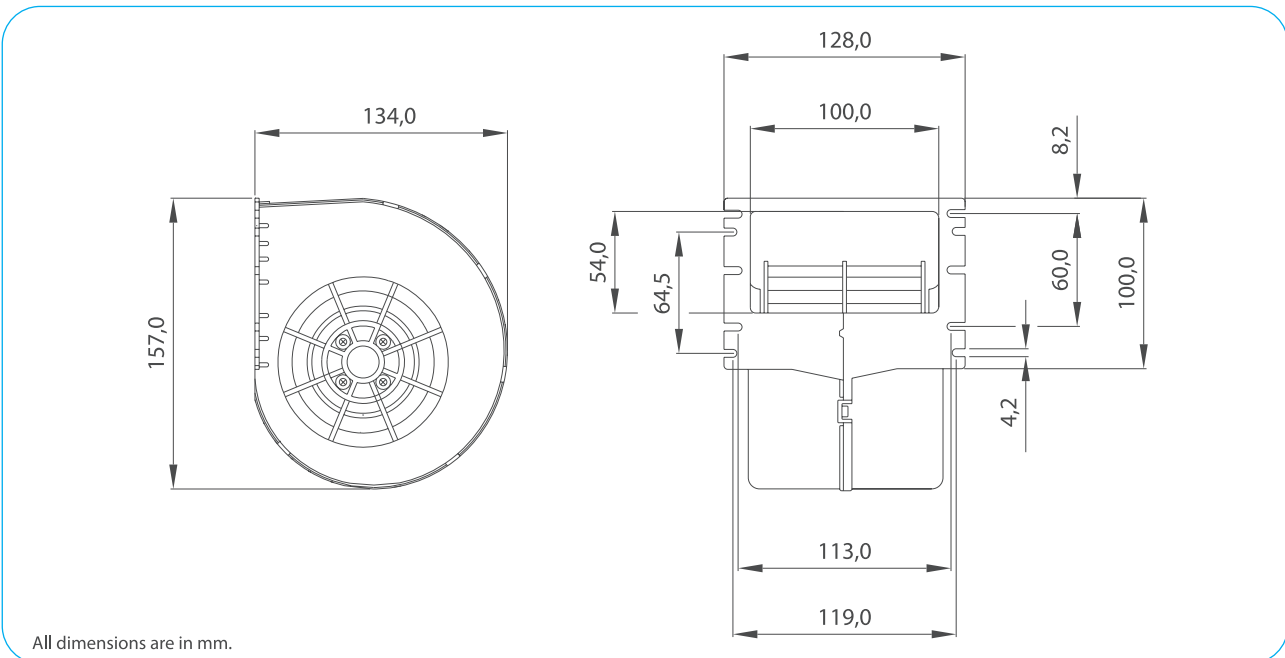


Part Numbers	Specifications	Applications	Features	Options
<b>6401792</b> ONE SPEED	<b>HEIGHT 134 mm</b> <b>400 m<sup>3</sup>/h</b> <b>12V</b>	HVAC Systems	High Pressure Compact Design High Efficiency	PWM Speed Control EMC (Certified) Thermal Protector



Test Voltage	V	13,0
Nominal Current	A	11,0
Nominal Speed	rpm	3.350
Max. St. Pressure	mmH <sub>2</sub> O	78,0
Max. Airflow	m <sup>3</sup> /h	390
Weight	kg	0,7



TEST VOLTAGE = 13,0 VDC	Static Pressure	Air Flow Rate	Current
	mm H <sub>2</sub> O	m <sup>3</sup> /h	A
	0,0	386,1	11,3
	5,0	370,3	11,1
	10,0	354,7	10,8
	20,0	324,9	10,4
	30,0	292,4	9,9
	40,0	250,6	9,1
	50,0	202,2	8,3
	60,0	145,8	7,4
70,0	70,9	6,2	
78,3	0,0	5,1	

Static Pressure: 1 mm H<sub>2</sub>O = 0,04in H<sub>2</sub>O = 9,8 Pa  
Air Flow Rate: 1 m<sup>3</sup>/h = 0,59 cfm

