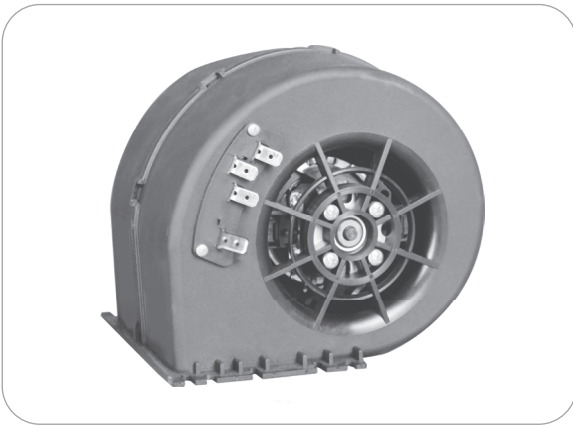
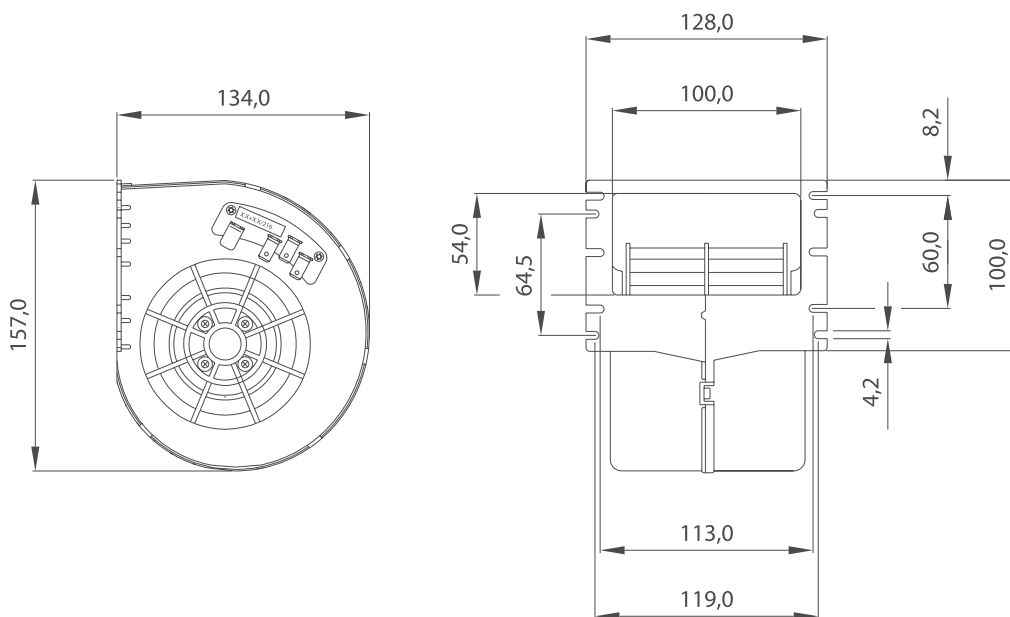


Part Numbers	Specifications	Applications	Features	Options
6401596 THREE SPEED	HEIGHT 134 mm 400 m³/h 12V	HVAC Systems	High Pressure Compact Design High Efficiency	PWM Speed Control EMC (Certified) Thermal Protector



Test Voltage	V	13,0
Nominal Current	A	11,5
Nominal Speed	rpm	3.350
Max. St. Pressure	mmH ₂ O	78,0
Max. Airflow	m ³ /h	390
Weight	kg	0,8
Airflow Rates	%	100-77-63



All dimensions are in mm.

TEST VOLTAGE = 13,0 VDC	Static Pressure	Air Flow Rate	Current
	mm H ₂ O	m ³ /h	A
	0,0	386,1	11,3
	5,0	370,3	11,1
	10,0	354,7	10,8
	20,0	324,9	10,4
	30,0	292,4	9,9
	40,0	250,6	9,1
	50,0	202,2	8,3
	60,0	145,8	7,4
70,0	70,9	6,2	
78,3	0,0	5,1	

Static Pressure: 1 mm H₂O = 0,04in H₂O = 9,8 Pa
Air Flow Rate: 1 m³/h = 0,59 cfm

