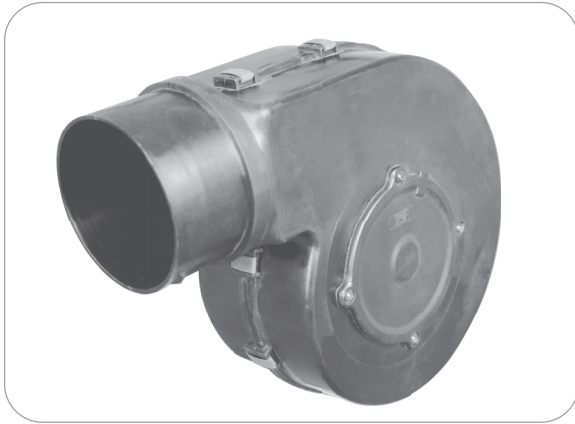
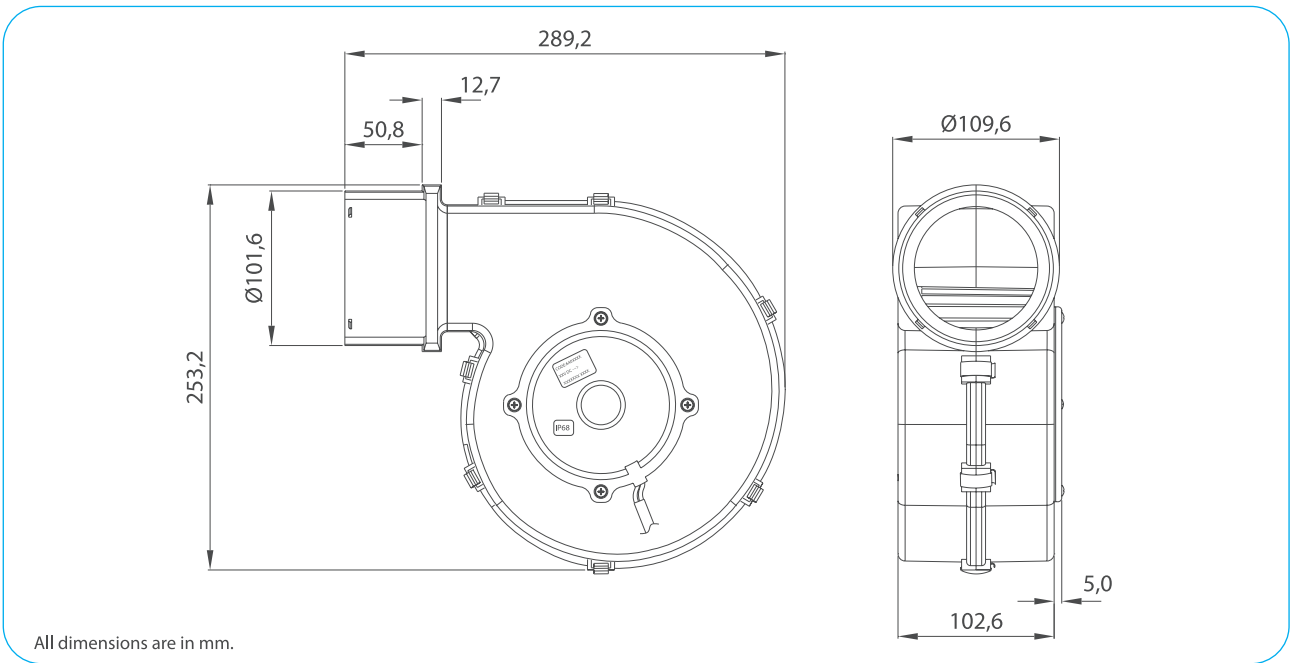


Part Numbers	Specifications	Applications	Features	Options
6401795 ONE SPEED / CW	HEIGHT 290 mm 550 m³/h 24V	HVAC Systems	High Pressure Compact Design High Efficiency Waterproof, IP68	PWM Speed Control EMC (Certified) Thermal Protector



Test Voltage	V	26,0
Nominal Current	A	7,0
Nominal Speed	rpm	2.800
Max. St. Pressure	mmH ₂ O	62,0
Max. Airflow	m ³ /h	550
Weight	kg	2,0



TEST VOLTAGE = 26,0 VDC	Static Pressure	Air Flow Rate	Current
	mm H ₂ O	m ³ /h	A
	0,0	548,8	6,8
	5,0	524,4	6,6
	10,0	500,2	6,4
	15,0	475,8	6,2
	20,0	451,3	5,9
	25,0	424,1	5,7
	30,0	393,4	5,4
	40,0	300,9	4,4
50,0	163,5	3,3	
61,8	0,0	2,8	

Static Pressure: 1 mm H₂O = 0,04in H₂O = 9,8 Pa
Air Flow Rate: 1 m³/h = 0,59 cfm

