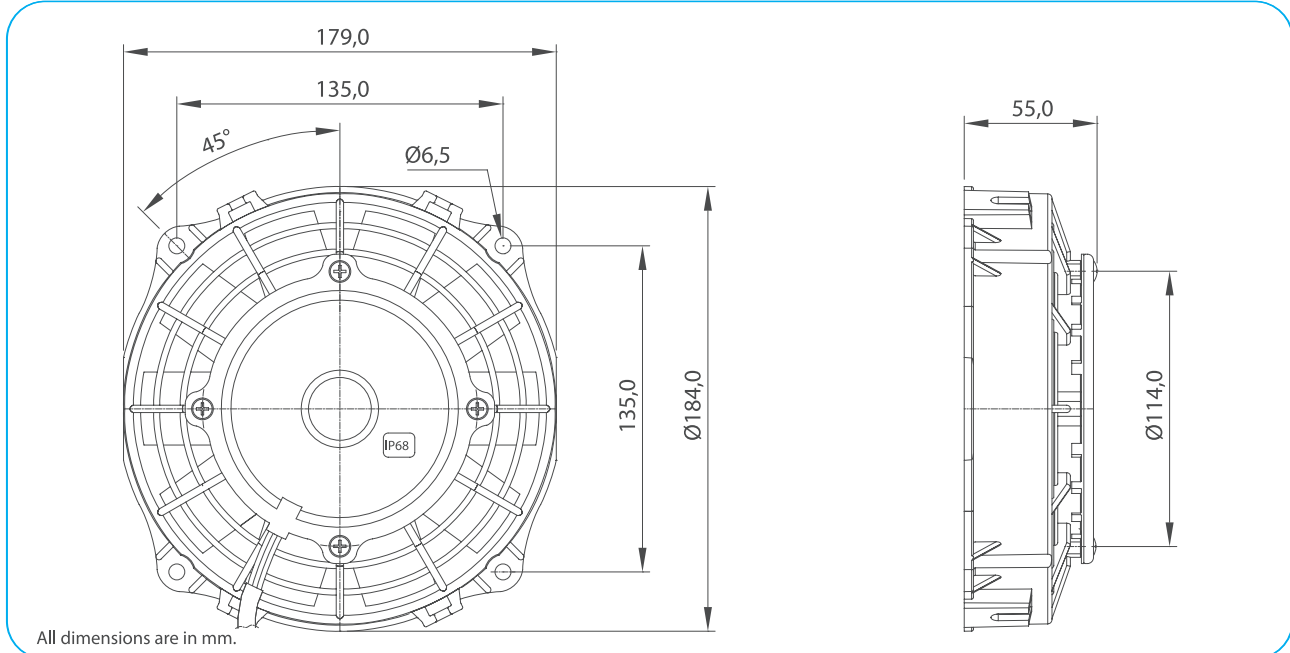


Part Numbers	Specifications	Applications	Features	Options
<b>6403417</b> PULLER / STR. BLADE	<b>DIAMETER 6,5" (167 mm)</b>	HVAC Systems	Waterproof, IP68 (LL) Long Life High Efficiency	Mounting brackets EMC (Certified) Thermal Protector (ELL) Extreme Long Life
<b>6403418</b> PUSHER / STR. BLADE	<b>LOW PROFILE</b> <b>12V 130W</b>			



Test Voltage	V	13,0
Nominal Current	A	5,2
Nominal Speed	rpm	4.400
Max. St. Pressure	mmH <sub>2</sub> O	28,5
Max. Airflow	m <sup>3</sup> /h	540
Weight	kg	1,2



**TEST VOLTAGE = 13,0 VDC**

Static Pressure	Air Flow Rate	Current
mm H <sub>2</sub> O	m <sup>3</sup> /h	A
0,0	543,4	5,0
2,5	501,3	5,0
5,0	453,9	5,0
7,5	399,1	5,0
10,0	337,5	4,9
12,5	279,9	4,9
15,0	231,7	5,0
20,0	156,7	5,3
25,0	70,9	5,6
28,5	0,0	5,7

Static Pressure: 1 mm H<sub>2</sub>O = 0,04in H<sub>2</sub>O = 9,8 Pa  
Air Flow Rate: 1 m<sup>3</sup>/h = 0,59 cfm

