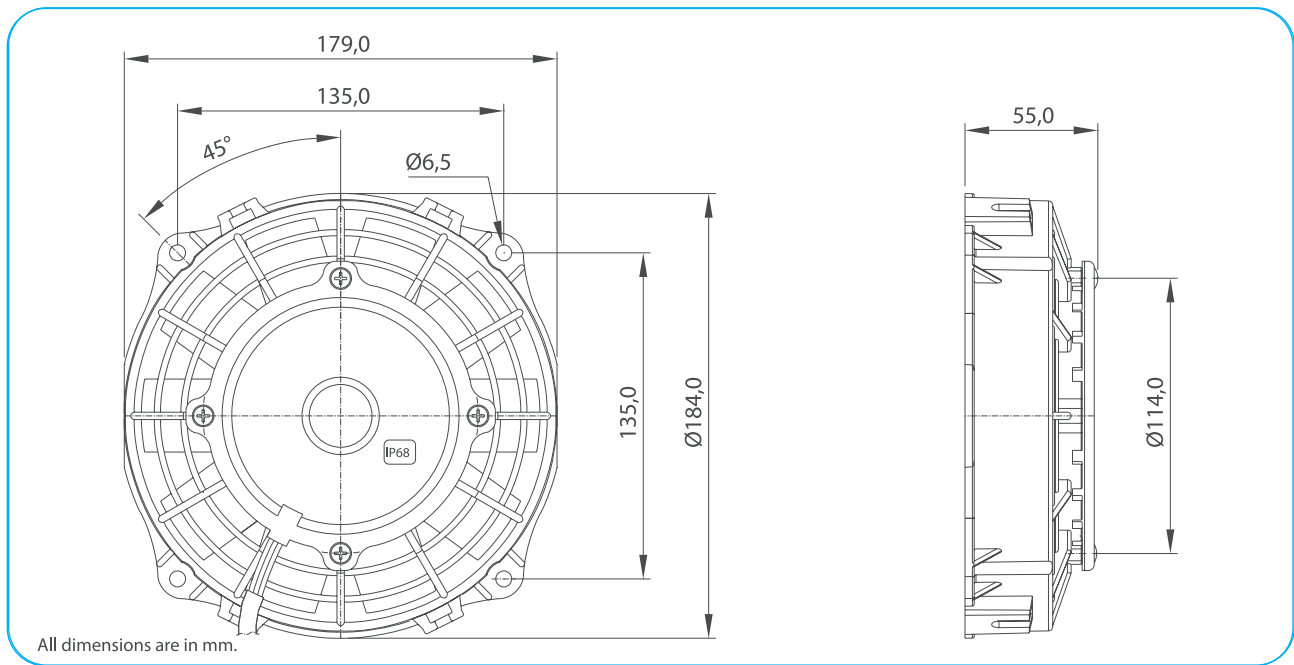


Part Numbers	Specifications	Applications	Features	Options
<b>6403483</b> PULLER / STR. BLADE	<b>DIAMETER 6,5" (167 mm)</b>	HVAC Systems	Waterproof, IP68 (LL) Long Life High Efficiency	Mounting brackets EMC (Certified) Thermal Protector (ELL) Extreme Long Life
<b>6403484</b> PUSHER / STR. BLADE	<b>LOW PROFILE</b> <b>24V 130W</b>			



Test Voltage	V	26,0
Nominal Current	A	2,5
Nominal Speed	rpm	4.400
Max. St. Pressure	mmH <sub>2</sub> O	30,5
Max. Airflow	m <sup>3</sup> /h	560
Weight	kg	1,2



TEST VOLTAGE = 26,0 VDC	Static Pressure	Air Flow Rate	Current
	mm H <sub>2</sub> O	m <sup>3</sup> /h	A
	0,0	556,3	2,5
	2,5	509,9	2,6
	5,0	459,6	2,6
	7,5	402,7	2,5
	10,0	344,1	2,5
	12,5	292,8	2,5
	15,0	255,6	2,6
	20,0	182,0	2,7
25,0	92,0	2,8	
30,5	0,0	3,0	

Static Pressure: 1 mm H<sub>2</sub>O = 0,04in H<sub>2</sub>O = 9,8 Pa  
Air Flow Rate: 1 m<sup>3</sup>/h = 0,59 cfm

