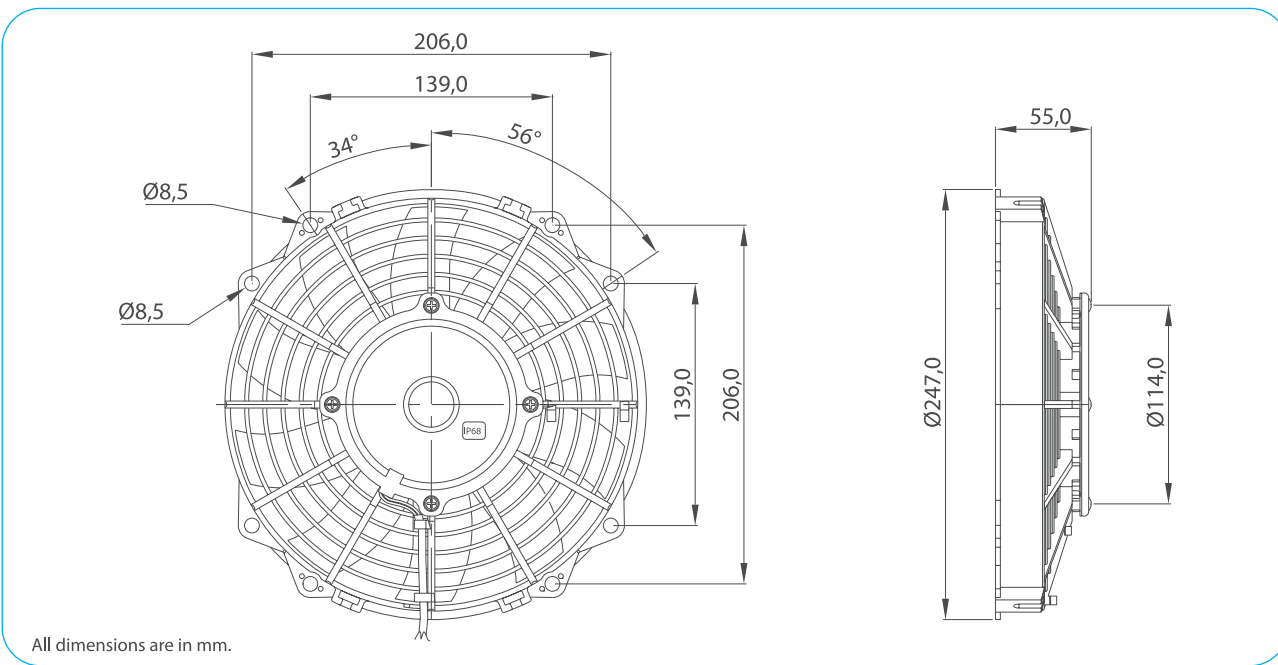


Part Numbers	Specifications	Applications	Features	Options
6403326 PULLER / S BLADE	DIAMETER 9" (225 mm)	HVAC Systems	Waterproof, IP68 (LL) Long Life High Efficiency	Mounting brackets EMC (Certified) Thermal Protector (ELL) Extreme Long Life
6403496 PUSHER / S BLADE	LOW PROFILE 12V 130W			



Test Voltage	V	13,0
Nominal Current	A	3,0
Nominal Speed	rpm	2.500
Max. St. Pressure	mmH ₂ O	19,0
Max. Airflow	m ³ /h	830
Weight	kg	1,3



TEST VOLTAGE = 13,0 VDC	Static Pressure	Air Flow Rate	Current
	mm H ₂ O	m ³ /h	A
	0,0	828,0	2,9
	2,5	752,2	3,2
	5,0	609,7	3,3
	7,5	429,0	3,3
	10,0	287,8	3,5
	12,5	187,0	3,7
	15,0	105,2	3,9
	17,5	34,9	4,0
18,8	0,0	4,1	

Static Pressure: 1 mm H₂O = 0,04in H₂O = 9,8 Pa
Air Flow Rate: 1 m³/h = 0,59 cfm

