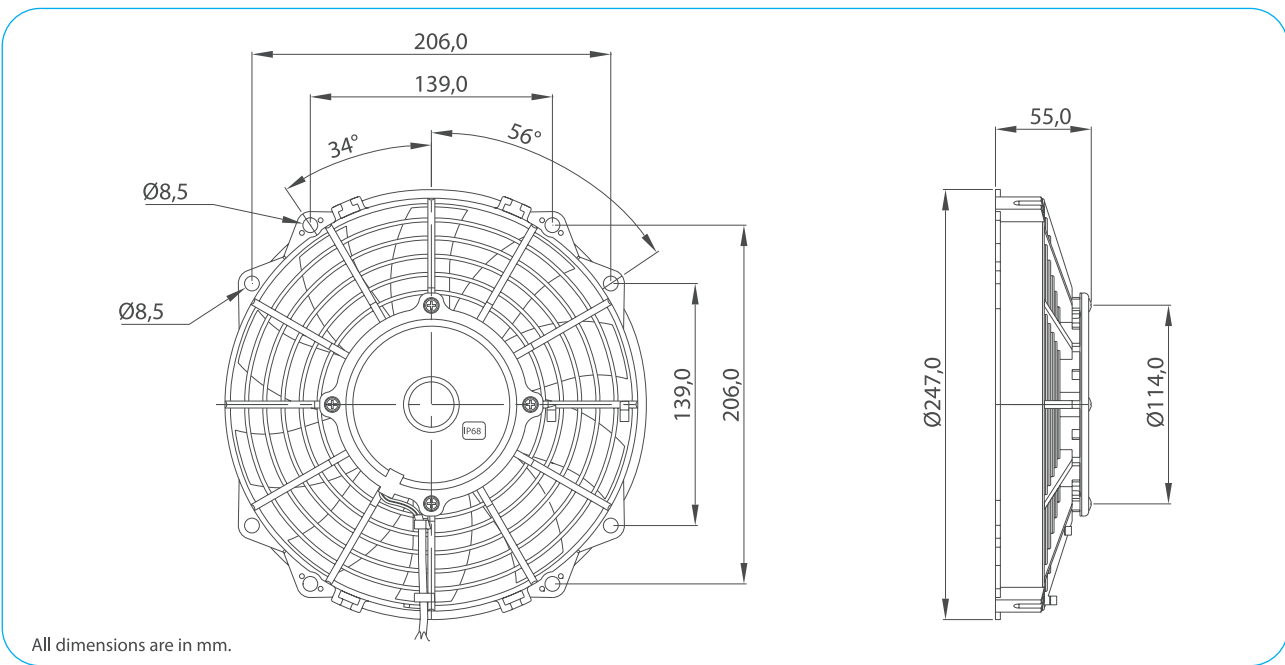


| Part Numbers | Specifications | Applications | Features | Options |
|------------------------------------|---------------------------------------|--------------|---|--|
| 6402201 PULLER / S BLADE | DIAMETER 9" (225 mm) | HVAC Systems | Waterproof, IP68 (LL) Long Life High Efficiency | Mounting brackets EMC (Certified) Thermal Protector (ELL) Extreme Long Life |
| 6402202 PUSHER / S BLADE | LOW PROFILE 12V 130W | | | |

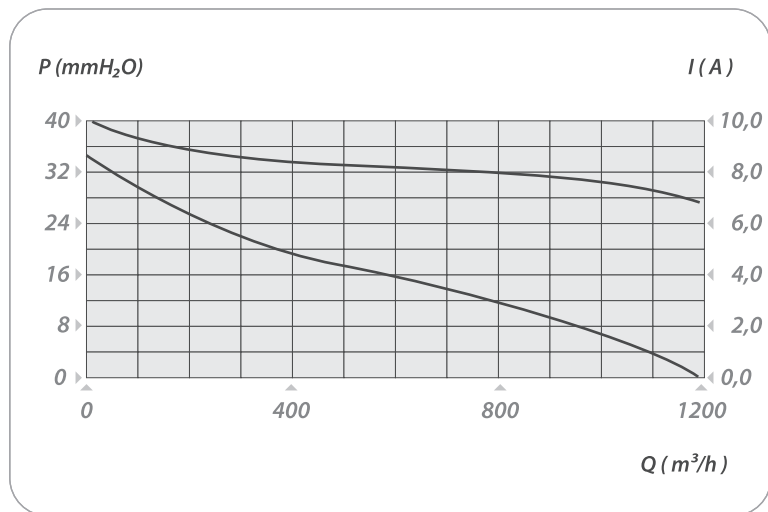


| | | |
|-------------------|--------------------|-------|
| Test Voltage | V | 13,0 |
| Nominal Current | A | 6,8 |
| Nominal Speed | rpm | 3.350 |
| Max. St. Pressure | mmH ₂ O | 35,0 |
| Max. Airflow | m ³ /h | 1.200 |
| Weight | kg | 1,3 |



| TEST VOLTAGE = 13,0 VDC | Static Pressure | Air Flow Rate | Current |
|-------------------------|---------------------|-------------------|---------|
| | mm H ₂ O | m ³ /h | A |
| | 0,0 | 1187,5 | 6,8 |
| | 2,5 | 1151,1 | 7,2 |
| | 5,0 | 1099,3 | 7,6 |
| | 7,5 | 1017,7 | 7,9 |
| | 10,0 | 900,4 | 8,0 |
| | 15,0 | 618,5 | 8,0 |
| | 20,0 | 405,5 | 8,3 |
| | 25,0 | 246,5 | 8,9 |
| 30,0 | 113,6 | 9,5 | |
| 35,1 | 0,0 | 10,0 | |

Static Pressure: 1 mm H₂O = 0,04in H₂O = 9,8 Pa
Air Flow Rate: 1 m³/h = 0,59 cfm



STANDARD FANS