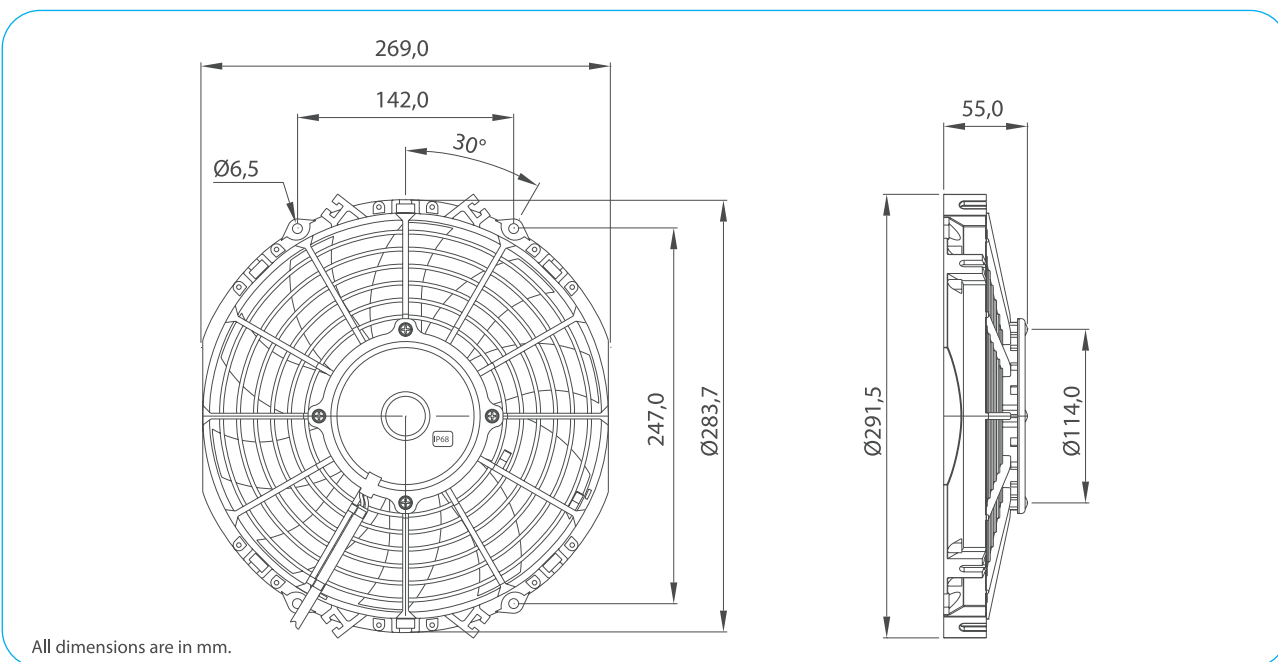


Part Numbers	Specifications	Applications	Features	Options
6401271 PULLER / S BLADE	DIAMETER 10" (255 mm)	HVAC Systems	Waterproof, IP68 (LL) Long Life High Efficiency	Mounting brackets EMC (Certified) Thermal Protector (ELL) Extreme Long Life
6402211 PUSHER / S BLADE	LOW PROFILE 12V 130W			



Test Voltage	V	13,0
Nominal Current	A	5,0
Nominal Speed	rpm	2.550
Max. St. Pressure	mmH ₂ O	20,0
Max. Airflow	m ³ /h	1.200
Weight	kg	1,3



TEST VOLTAGE = 13,0 VDC	Static Pressure	Air Flow Rate	Current
	mm H ₂ O	m ³ /h	A
	0,0	1206,7	4,9
	2,5	1126,1	5,0
	5,0	1036,3	5,2
	7,5	874,3	5,4
	10,0	566,1	5,5
	12,5	318,5	5,6
	15,0	201,0	5,7
	17,5	105,0	5,9
19,8	1,5	6,1	

Static Pressure: 1 mm H₂O = 0,04in H₂O = 9,8 Pa
Air Flow Rate: 1 m³/h = 0,59 cfm

