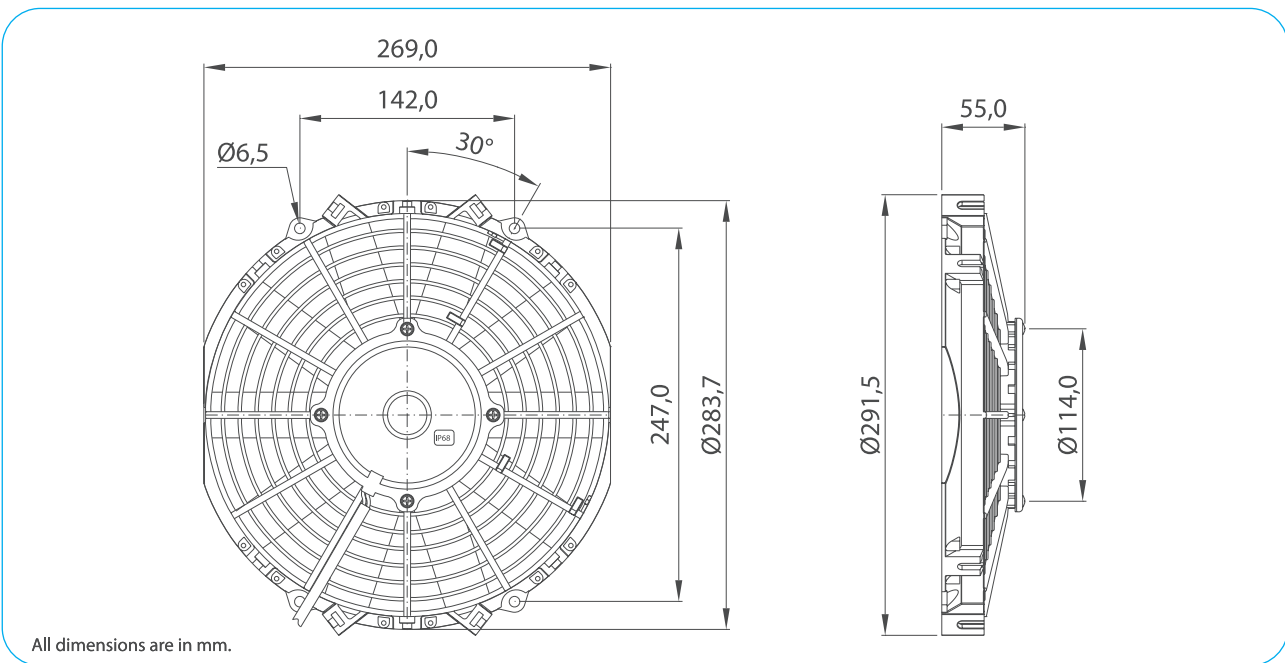


Part Numbers	Specifications	Applications	Features	Options
6401215 PULLER / STR. BLADE	DIAMETER 10" (255 mm)	HVAC Systems	Waterproof, IP68 (LL) Long Life High Efficiency	Mounting brackets EMC (Certified) Thermal Protector (ELL) Extreme Long Life
6401229 PUSHER / STR. BLADE	LOW PROFILE 12V 130W			



Test Voltage	V	13,0
Nominal Current	A	6,2
Nominal Speed	rpm	3.000
Max. St. Pressure	mmH ₂ O	25,0
Max. Airflow	m ³ /h	1.330
Weight	kg	1,3



All dimensions are in mm.

TEST VOLTAGE = 13,0 VDC	Static Pressure	Air Flow Rate	Current
	mm H ₂ O	m ³ /h	A
	0,0	1330,4	6,1
	2,5	1242,5	6,5
	5,0	1142,7	6,8
	7,5	1017,0	7,0
	10,0	858,2	7,1
	12,5	662,5	7,0
	15,0	483,9	6,9
	17,5	354,4	7,0
20,0	250,5	7,2	
25,2	0,0	7,4	

Static Pressure: 1 mm H₂O = 0,04in H₂O = 9,8 Pa
Air Flow Rate: 1 m³/h = 0,59 cfm

