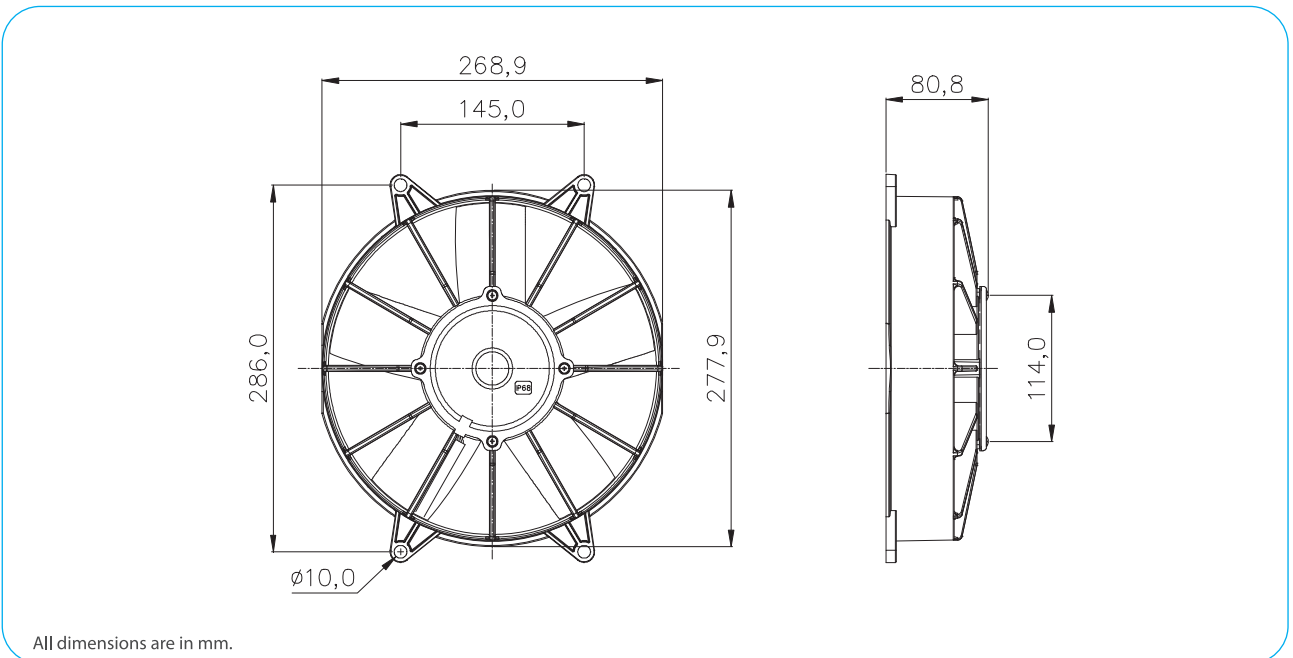


Part Numbers	Specifications	Applications	Features	Options
6403576 PULLER/STR. BLADE	DIAMETER 10" (255mm)	HVAC Systems	Waterproof, IP68 (LL) Long Life High Efficiency	Mounting brackets EMC (Certified) Thermal Protector (ELL) Extreme Long Life
6403592 PUSHER/STR. BLADE	HIGH PROFILE 12V 225W			



Test Voltage	V	13,0
Nominal Current	A	11,6
Nominal Speed	rpm	3,250
Max. St. Pressure	Pa	390
Max. Airflow	m ³ /h	1.900
Weight	kg	2,1



TEST VOLTAGE = 13,0 VDC

Static Pressure	Air Flow Rate	Current
mm H ₂ O	m ³ /h	A
0,0	1892,5	11,7
2,5	1818,1	12,5
5,0	1741,4	13,0
10,0	1510,2	13,4
15,0	1087,4	13,7
20,0	664,2	14,3
25,0	532,6	15,0
30,0	401,0	15,4
35,0	211,2	16,3
39,0	0,0	17,5

Static Pressure: 1 mm H₂O = 0,04in H₂O = 9,8 Pa
Air Flow Rate: 1 m³/h = 0,59 cfm

