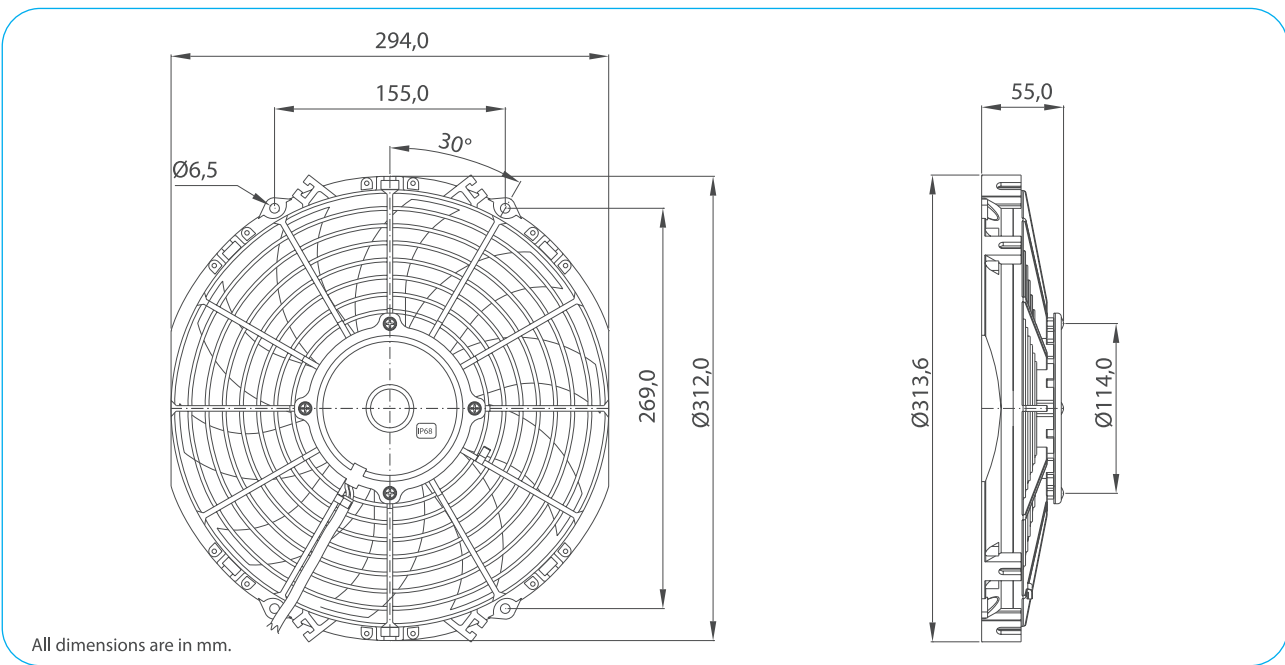


Part Numbers	Specifications	Applications	Features	Options
6402224 PULLER / S BLADE	DIAMETER 11" (280 mm)	HVAC Systems	Waterproof, IP68 (LL) Long Life High Efficiency	Mounting brackets EMC (Certified) Thermal Protector (ELL) Extreme Long Life
6402225 PUSHER / S BLADE	LOW PROFILE 12V 130W			



Test Voltage	V	13,0
Nominal Current	A	6,4
Nominal Speed	rpm	2.520
Max. St. Pressure	mmH ₂ O	19,5
Max. Airflow	m ³ /h	1.500
Weight	kg	1,4



TEST VOLTAGE = 13,0 VDC	Static Pressure	Air Flow Rate	Current
	mm H ₂ O	m ³ /h	A
	0,0	1505,1	6,2
	2,5	1395,8	6,4
	5,0	1238,8	6,6
	7,5	998,6	6,8
	10,0	675,0	6,8
	12,5	396,1	7,0
	15,0	249,6	7,3
	19,6	0,0	8,0

Static Pressure: 1 mm H₂O = 0,04in H₂O = 9,8 Pa
Air Flow Rate: 1 m³/h = 0,59 cfm

