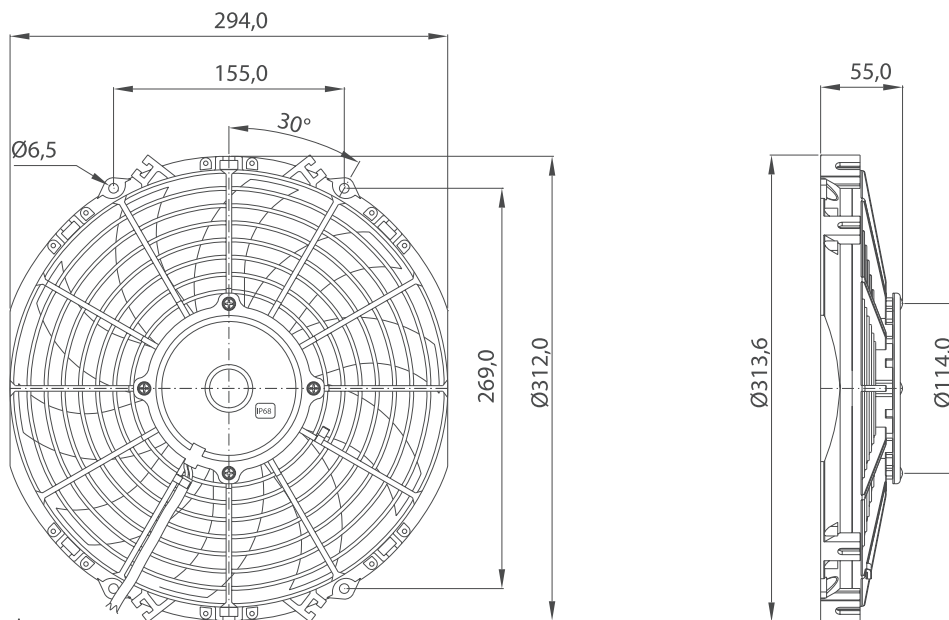


Part Numbers	Specifications	Applications	Features	Options
6401285 PULLER / S BLADE	DIAMETER 11" (280 mm)	HVAC Systems	Waterproof, IP68 (LL) Long Life High Efficiency	Mounting brackets EMC (Certified) Thermal Protector (ELL) Extreme Long Life
6402228 PUSHER / S BLADE	LOW PROFILE 12V 130W			



Test Voltage	V	13,0
Nominal Current	A	7,9
Nominal Speed	rpm	2.850
Max. St. Pressure	mmH ₂ O	25,5
Max. Airflow	m ³ /h	1.730
Weight	kg	1,4



All dimensions are in mm.

TEST VOLTAGE = 13,0 VDC	Static Pressure	Air Flow Rate	Current
	mm H ₂ O	m ³ /h	A
	0,0	1719,1	7,7
	2,5	1634,1	8,2
	5,0	1509,6	8,6
	7,5	1332,1	8,8
	10,0	1098,3	8,9
	12,5	820,4	9,0
	15,0	558,7	9,1
	17,5	381,6	9,3
20,0	264,5	9,6	
25,4	0,0	10,5	

Static Pressure: 1 mm H₂O = 0,04in H₂O = 9,8 Pa
Air Flow Rate: 1 m³/h = 0,59 cfm

