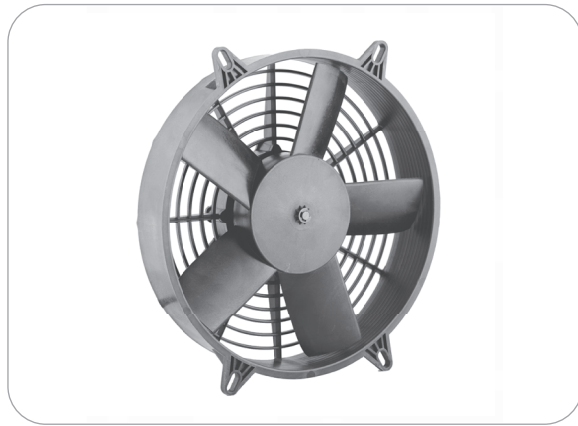
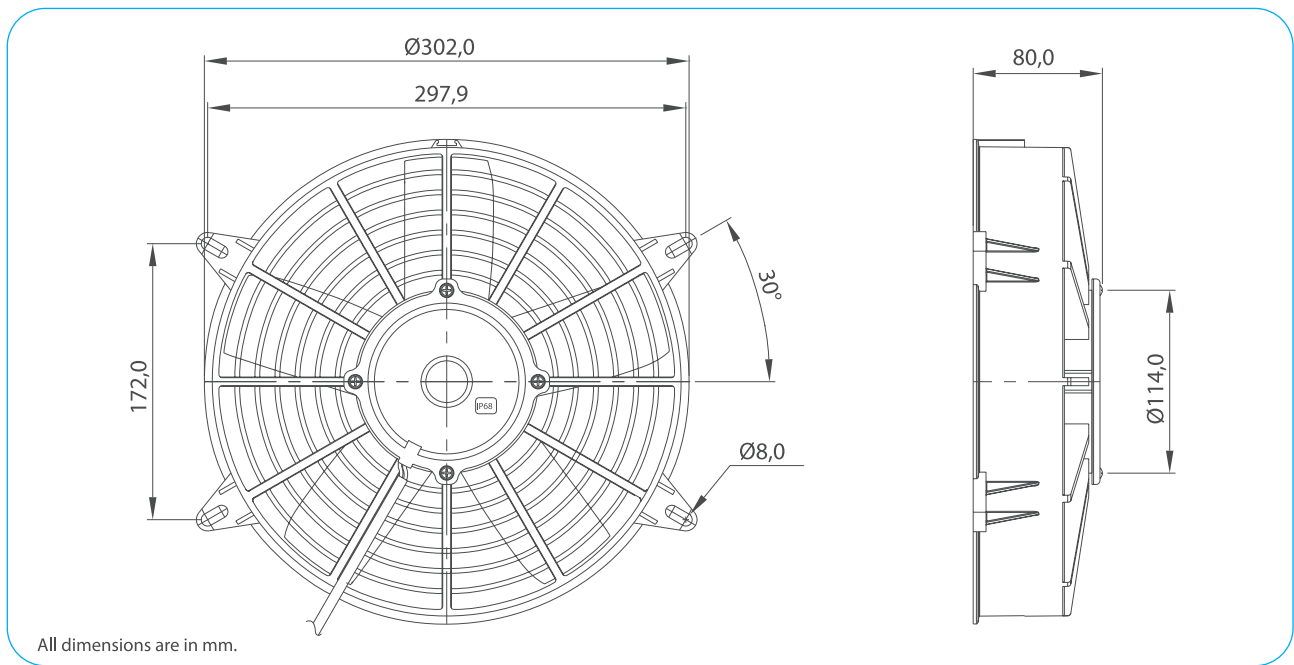


Part Numbers	Specifications	Applications	Features	Options
6403458 PULLER / STR. BLADE	DIAMETER 11" (280 mm)	HVAC Systems	Waterproof, IP68 (LL) Long Life High Efficiency	Mounting brackets EMC (Certified) Thermal Protector (ELL) Extreme Long Life
6402284 PUSHER / STR. BLADE	HIGH PROFILE 24V 225W			



Test Voltage	V	26,0
Nominal Current	A	7,0
Nominal Speed	rpm	3.110
Max. St. Pressure	mmH ₂ O	40,0
Max. Airflow	m ³ /h	2.270
Weight	kg	2,3



TEST VOLTAGE = 26,0 VDC	Static Pressure	Air Flow Rate	Current
	mm H ₂ O	m ³ /h	A
	0,0	2265,6	6,8
	2,5	2217,4	6,9
	5,0	2144,6	7,0
	10,0	1806,2	7,2
	15,0	1172,3	7,3
	20,0	836,6	7,8
	25,0	658,5	8,2
	30,0	463,0	8,6
35,0	244,5	9,2	
40,2	0,0	9,9	

Static Pressure: 1 mm H₂O = 0,04in H₂O = 9,8 Pa
Air Flow Rate: 1 m³/h = 0,59 cfm

