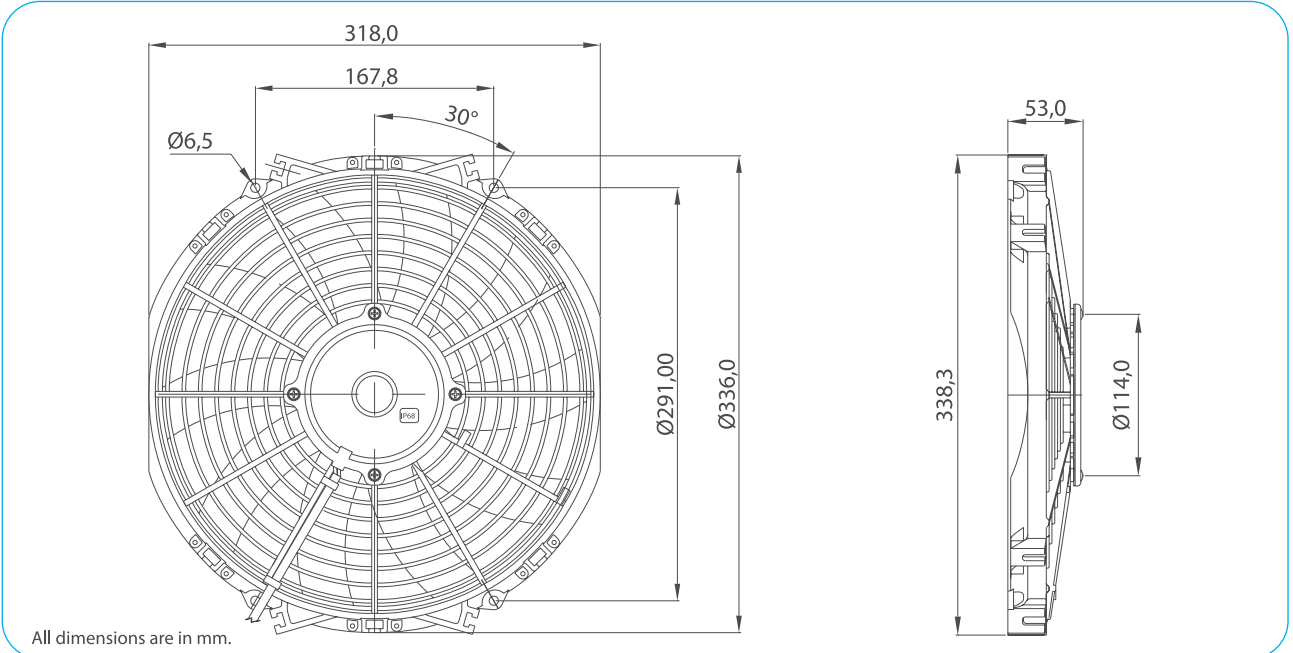


Part Numbers	Specifications	Applications	Features	Options
6402239 PULLER / S BLADE	DIAMETER 12" (305 mm)	HVAC Systems	Waterproof, IP68 (LL) Long Life High Efficiency	Mounting brackets EMC (Certified) Thermal Protector (ELL) Extreme Long Life
6402240 PUSHER / S BLADE	LOW PROFILE 12V 130W			



Test Voltage	V	13,0
Nominal Current	A	6,9
Nominal Speed	rpm	2.550
Max. St. Pressure	mmH ₂ O	18,0
Max. Airflow	m ³ /h	1.720
Weight	kg	1,5



All dimensions are in mm.

TEST VOLTAGE = 13,0 VDC

Static Pressure	Air Flow Rate	Current
mm H ₂ O	m ³ /h	A
0,0	1713,5	6,7
2,5	1574,0	7,2
5,0	1344,9	7,4
7,5	1017,0	7,5
10,0	667,5	7,6
12,5	426,4	8,0
15,0	249,0	8,4
17,8	0,0	8,0

Static Pressure: 1 mm H₂O = 0,04in H₂O = 9,8 Pa
Air Flow Rate: 1 m³/h = 0,59 cfm

