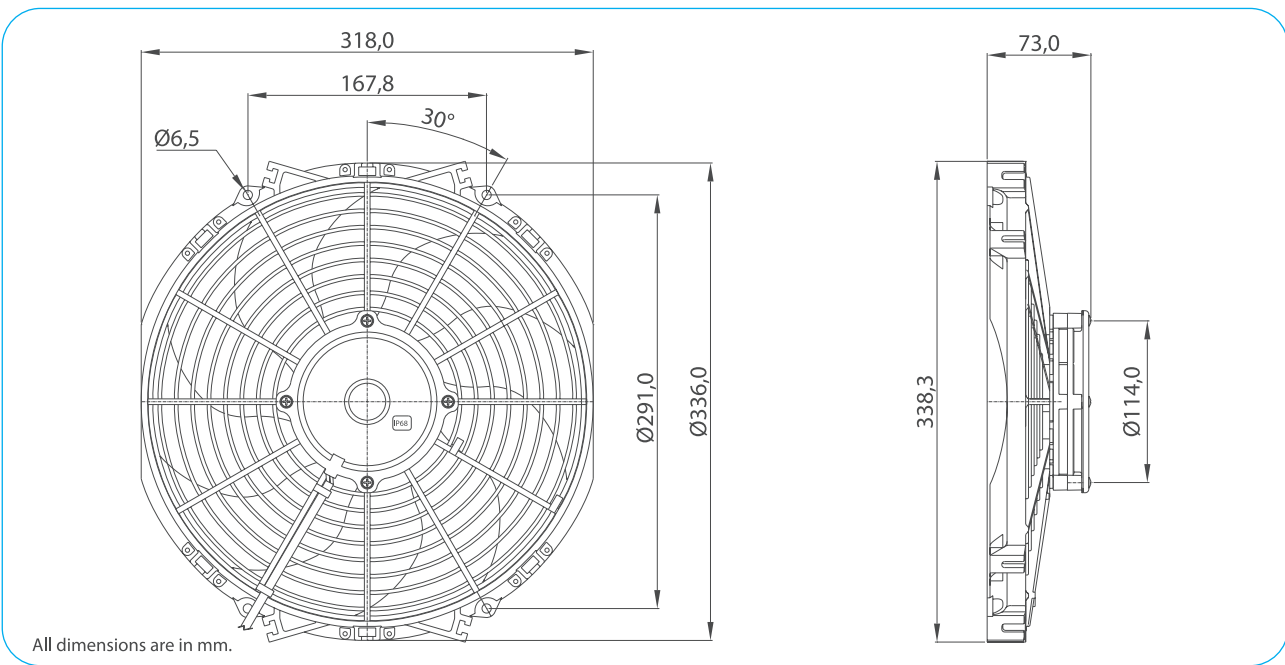


Part Numbers	Specifications	Applications	Features	Options
6402249 PULLER / S BLADE	DIAMETER 12" (305 mm)	HVAC Systems	Waterproof, IP68 (LL) Long Life High Efficiency	Mounting brackets EMC (Certified) Thermal Protector (ELL) Extreme Long Life
6402250 PUSHER / S BLADE	LOW PROFILE 12V 225W			



Test Voltage	V	13,0
Nominal Current	A	13,1
Nominal Speed	rpm	3.300
Max. St. Pressure	mmH ₂ O	31,0
Max. Airflow	m ³ /h	2.250
Weight	kg	2,2



TEST VOLTAGE = 13,0 VDC	Static Pressure	Air Flow Rate	Current
	mm H ₂ O	m ³ /h	A
	0,0	2243,3	12,5
	2,5	2158,0	13,0
	5,0	2056,3	13,4
	7,5	1924,7	13,8
	10,0	1748,8	14,1
	15,0	1218,6	14,2
	20,0	666,2	14,3
	25,0	374,5	15,3
	30,0	82,5	16,3
	31,0	0,0	16,6

Static Pressure: 1 mm H₂O = 0,04in H₂O = 9,8 Pa
Air Flow Rate: 1 m³/h = 0,59 cfm

