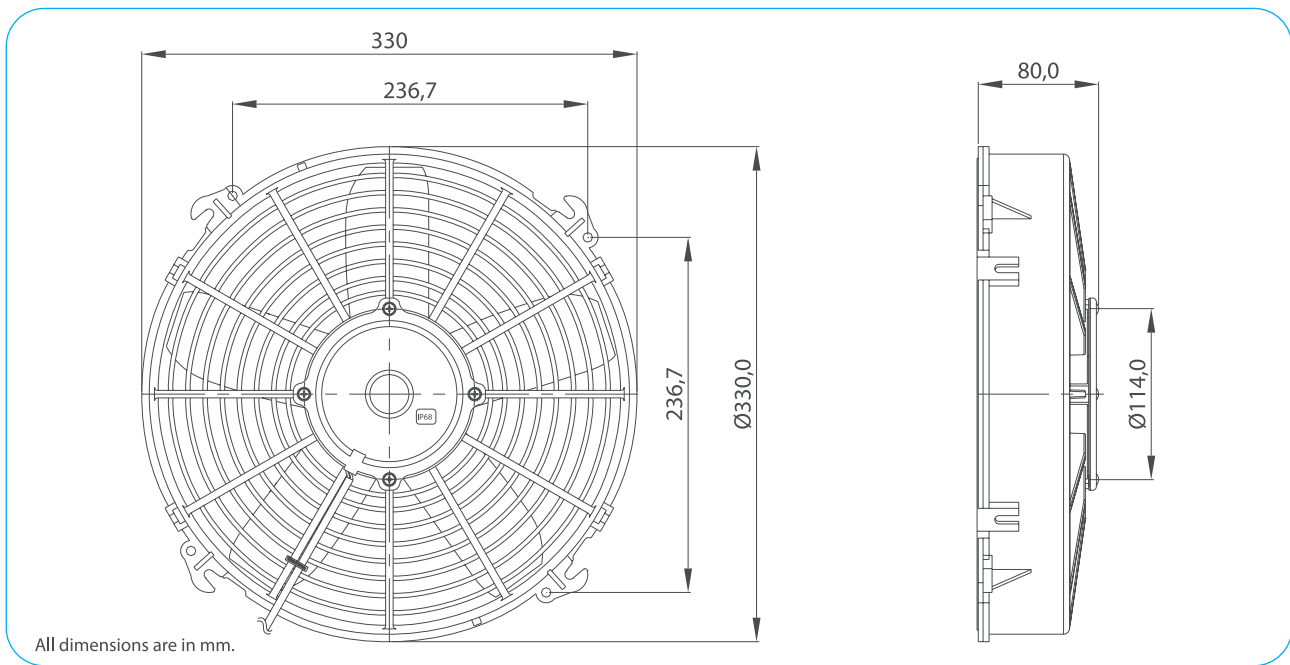


Part Numbers	Specifications	Applications	Features	Options
6401263 PULLER / STR. BLADE	DIAMETER 12" (305 mm)	HVAC Systems	Waterproof, IP68 (LL) Long Life High Efficiency	Mounting brackets EMC (Certified) Thermal Protector (ELL) Extreme Long Life
6401265 PUSHER / STR. BLADE	HIGH PROFILE 12V 225W			



Test Voltage	V	13,0
Nominal Current	A	16,0
Nominal Speed	rpm	2.950
Max. St. Pressure	mmH ₂ O	40
Max. Airflow	m ³ /h	2.600
Weight	kg	2,4



TEST VOLTAGE = 13,0 VDC	Static Pressure	Air Flow Rate	Current
	mm H ₂ O	m ³ /h	A
	0,0	2598,6	15,9
	2,5	2513,9	16,2
	5,0	2393,5	16,5
	7,5	2201,5	16,7
	10,0	1907,7	16,7
	15,0	1272,7	17,0
	20,0	903,4	18,2
	25,0	700,3	19,2
30,0	493,3	20,0	
40,2	0,0	25,0	

Static Pressure: 1 mm H₂O = 0,04in H₂O = 9,8 Pa
Air Flow Rate: 1 m³/h = 0,59 cfm

