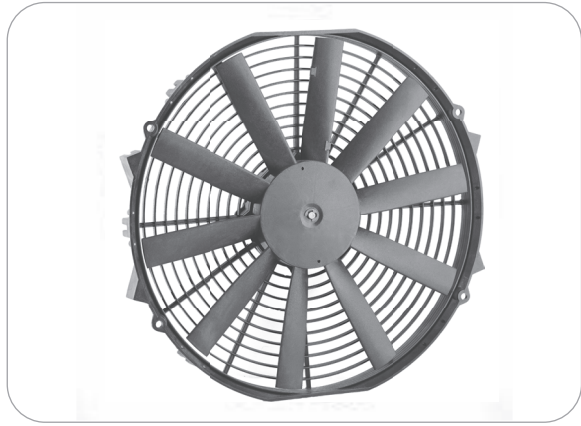
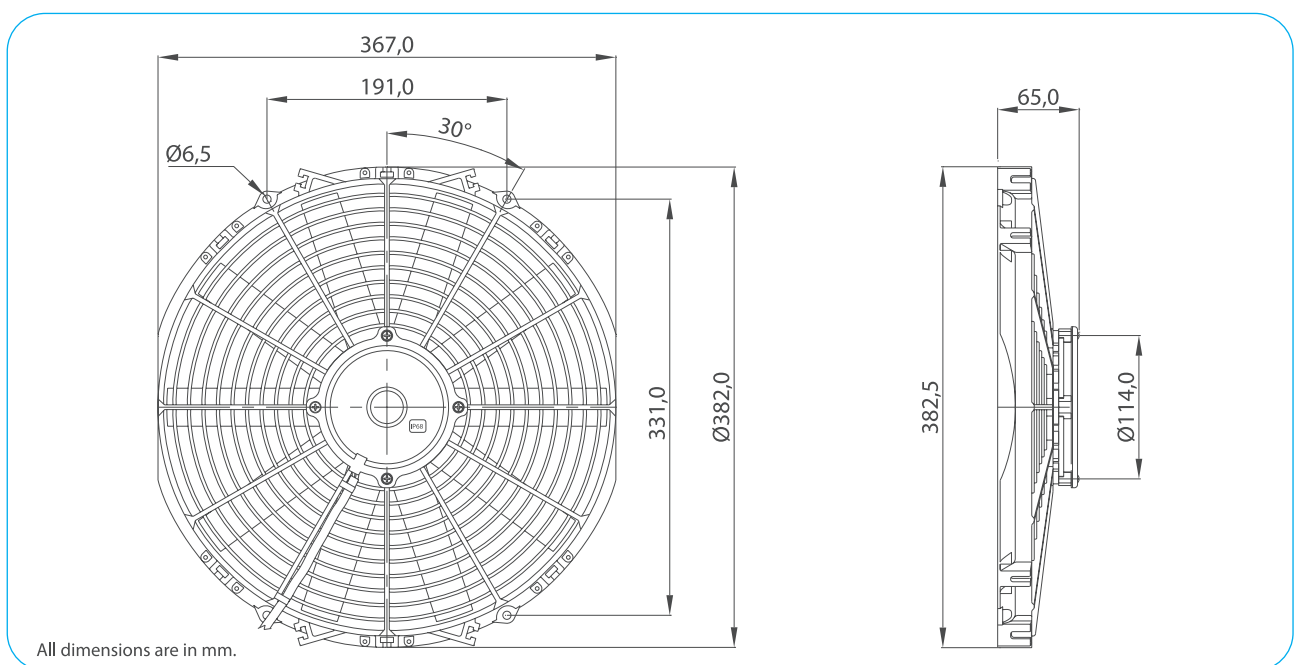


Part Numbers	Specifications	Applications	Features	Options
<b>6402257</b> PULLER / STR. BLADE	<b>DIAMETER 14" (350 mm)</b>	HVAC Systems	Waterproof, IP68 (LL) Long Life High Efficiency	Mounting brackets EMC (Certified) Thermal Protector (ELL) Extreme Long Life
<b>6401252</b> PUSHER / STR. BLADE	<b>LOW PROFILE</b> <b>12V 160W</b>			



Test Voltage	V	13,0
Nominal Current	A	8,4
Nominal Speed	rpm	2.850
Max. St. Pressure	mmH <sub>2</sub> O	22,5
Max. Airflow	m <sup>3</sup> /h	2.160
Weight	kg	1,8



**TEST VOLTAGE = 13,0 VDC**

Static Pressure	Air Flow Rate	Current
mm H <sub>2</sub> O	m <sup>3</sup> /h	A
0,0	2165,1	8,0
2,5	2029,4	8,6
5,0	1878,1	9,1
7,5	1688,1	9,4
10,0	1404,7	9,3
12,5	1037,2	9,0
15,0	726,6	8,9
17,5	489,8	8,9
20,0	247,0	8,8
22,4	0,0	8,7

Static Pressure: 1 mm H<sub>2</sub>O = 0,04in H<sub>2</sub>O = 9,8 Pa  
Air Flow Rate: 1 m<sup>3</sup>/h = 0,59 cfm

