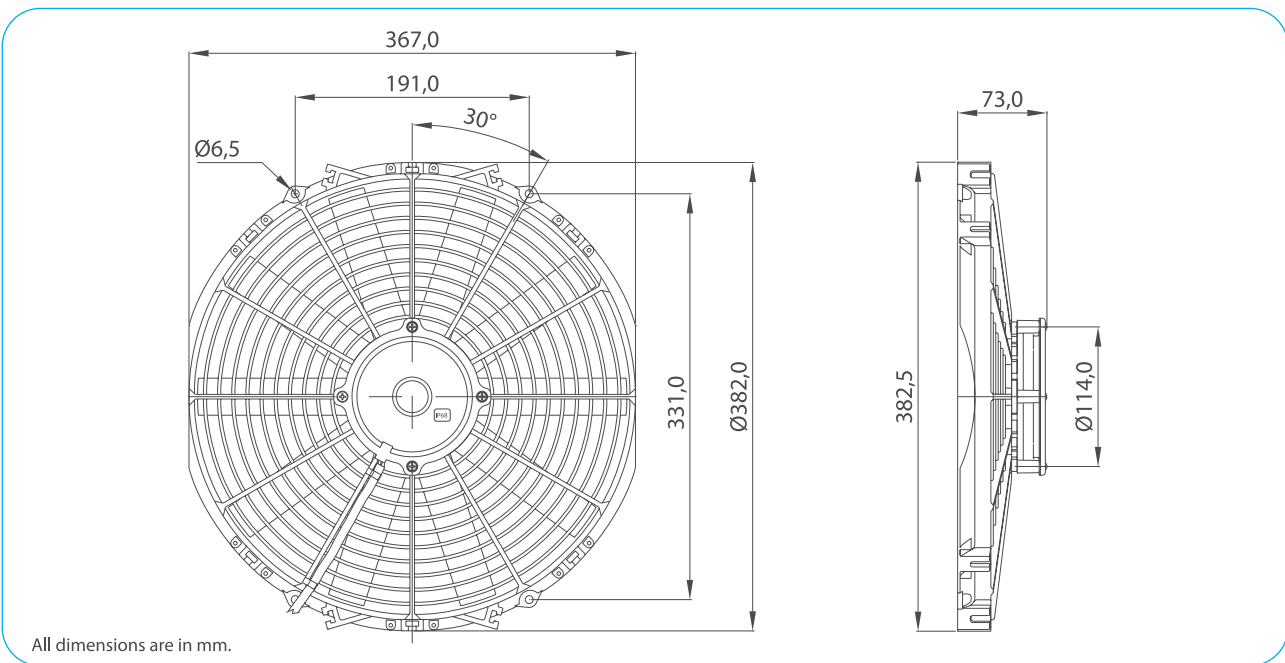


Part Numbers	Specifications	Applications	Features	Options
<b>6402260</b> PULLER / STR. BLADE	<b>DIAMETER 14" (350 mm)</b>	HVAC Systems	Waterproof, IP68 (LL) Long Life High Efficiency	Mounting brackets EMC (Certified) Thermal Protector (ELL) Extreme Long Life
<b>6401259</b> PUSHER / STR. BLADE	<b>LOW PROFILE</b> <b>12V 225W</b>			



Test Voltage	V	13,0
Nominal Current	A	14,0
Nominal Speed	rpm	3.330
Max. St. Pressure	mmH <sub>2</sub> O	32,0
Max. Airflow	m <sup>3</sup> /h	2.680
Weight	kg	2,2



All dimensions are in mm.

TEST VOLTAGE = 13,0 VDC	Static Pressure	Air Flow Rate	Current
	mm H <sub>2</sub> O	m <sup>3</sup> /h	A
	0,0	2678,0	13,8
	2,5	2550,0	14,4
	5,0	2415,1	15,0
	7,5	2266,4	15,4
	10,0	2097,6	15,6
	15,0	1677,7	15,6
	20,0	1161,2	15,1
	25,0	625,7	14,4
30,0	158,3	13,8	
31,8	0,0	13,6	

Static Pressure: 1 mm H<sub>2</sub>O = 0,04in H<sub>2</sub>O = 9,8 Pa  
Air Flow Rate: 1 m<sup>3</sup>/h = 0,59 cfm

