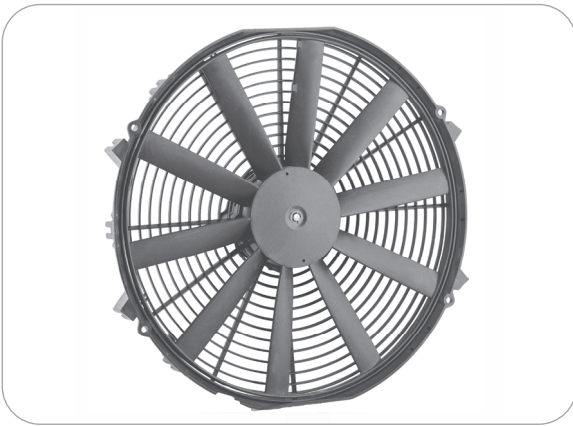
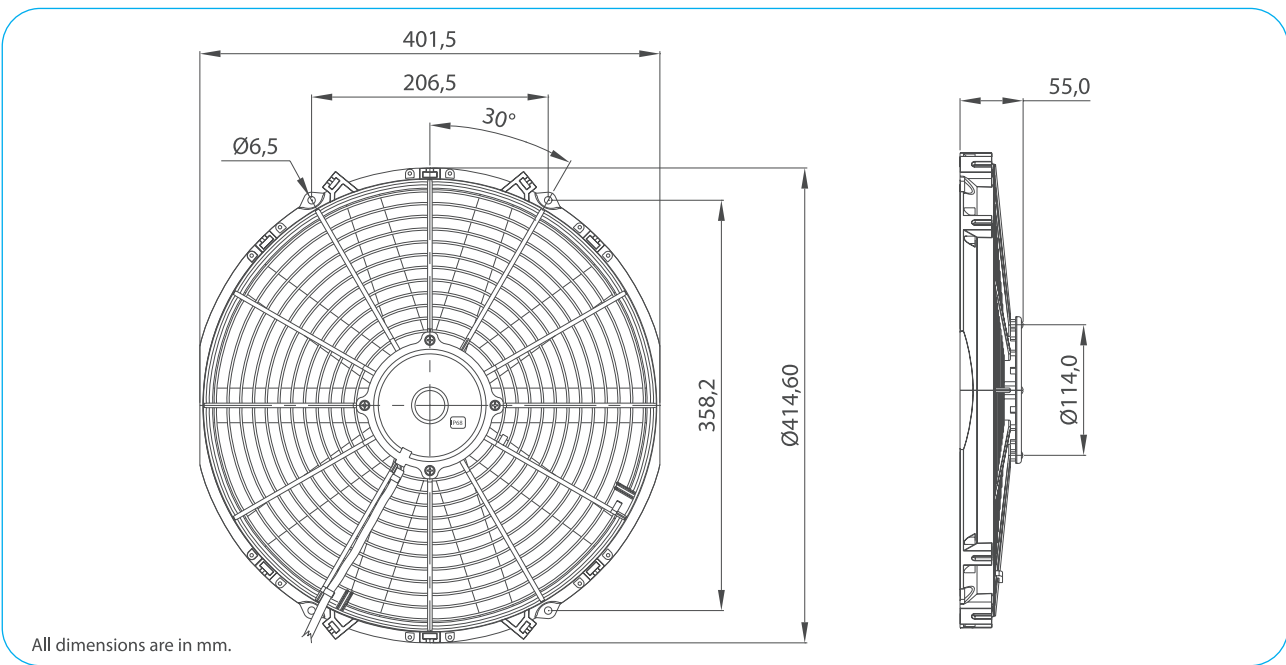


Part Numbers	Specifications	Applications	Features	Options
<b>6402262</b> PULLER / STR. BLADE	<b>DIAMETER 16" (385 mm)</b>	HVAC Systems	Waterproof, IP68 (LL) Long Life High Efficiency	Mounting brackets EMC (Certified) Thermal Protector (ELL) Extreme Long Life
<b>6402263</b> PUSHER / STR. BLADE	<b>LOW PROFILE</b> <b>12V 130W</b>			



Test Voltage	V	13,0
Nominal Current	A	8,2
Nominal Speed	rpm	2.400
Max. St. Pressure	mmH <sub>2</sub> O	17,5
Max. Airflow	m <sup>3</sup> /h	2.140
Weight	kg	1,6



TEST VOLTAGE = 13,0 VDC	Static Pressure	Air Flow Rate	Current
	mm H <sub>2</sub> O	m <sup>3</sup> /h	A
	0,0	2134,3	8,0
	2,5	1927,2	8,6
	5,0	1680,1	9,0
	7,5	1359,7	9,1
	10,0	979,3	9,0
	12,5	641,8	9,0
	15,0	338,1	9,0
	17,5	0,0	8,7

Static Pressure: 1 mm H<sub>2</sub>O = 0,04in H<sub>2</sub>O = 9,8 Pa  
Air Flow Rate: 1 m<sup>3</sup>/h = 0,59 cfm

