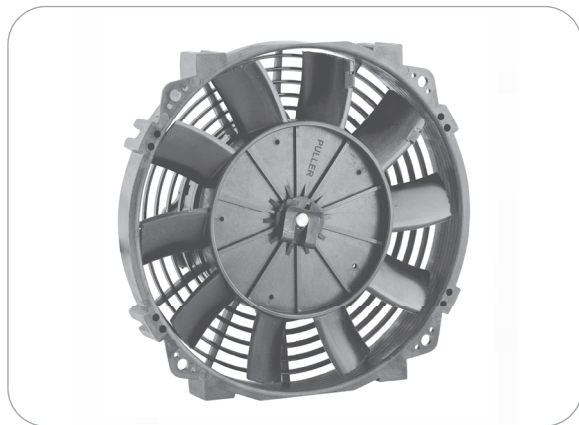
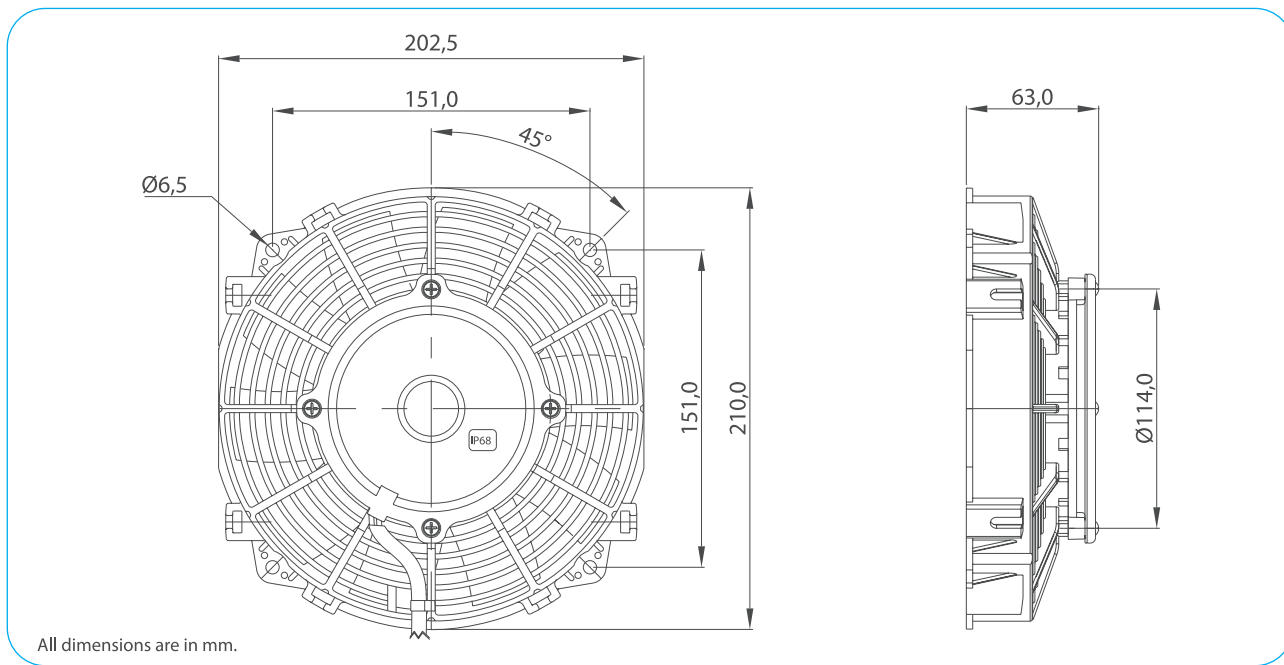


Part Numbers	Specifications	Applications	Features	Options
<b>6403487</b> PUSHER / PULLER	<b>DIAMETER 8" (190 mm)</b> <b>LOW PROFILE</b> <b>24V 130W</b>	HVAC Systems	Waterproof, IP68 (LL) Long Life Reversible Airflow High Efficiency	Mounting brackets EMC (Certified) Thermal Protector (ELL) Extreme Long Life



Test Voltage	V	26,0
Nominal Current	A	3,8
Nominal Speed	rpm	4.000
Max. St. Pressure	mmH <sub>2</sub> O	35,5
Max. Airflow	m <sup>3</sup> /h	760
Weight	kg	1,3



TEST VOLTAGE = 26,0 VDC	Static Pressure	Air Flow Rate	Current
	mm H <sub>2</sub> O	m <sup>3</sup> /h	A
	0,0	756,6	3,7
	2,5	712,2	3,7
	5,0	661,7	3,7
	7,5	599,1	3,7
	10,0	623,3	3,7
	15,0	381,2	3,7
	20,0	290,7	3,9
	25,0	209,9	4,0
	30,0	117,1	4,1
	35,6	0,0	4,5

Static Pressure: 1 mm H<sub>2</sub>O = 0,04in H<sub>2</sub>O = 9,8 Pa  
Air Flow Rate: 1 m<sup>3</sup>/h = 0,59 cfm

