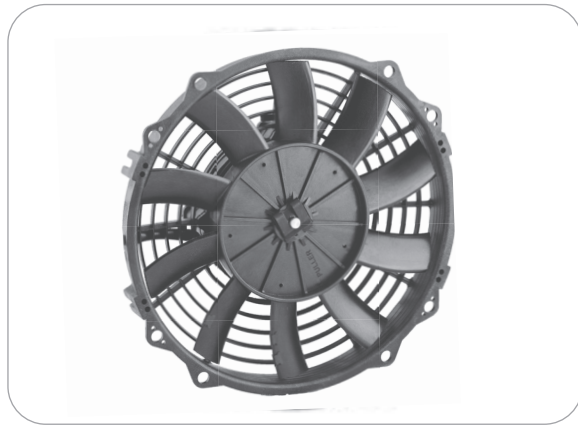
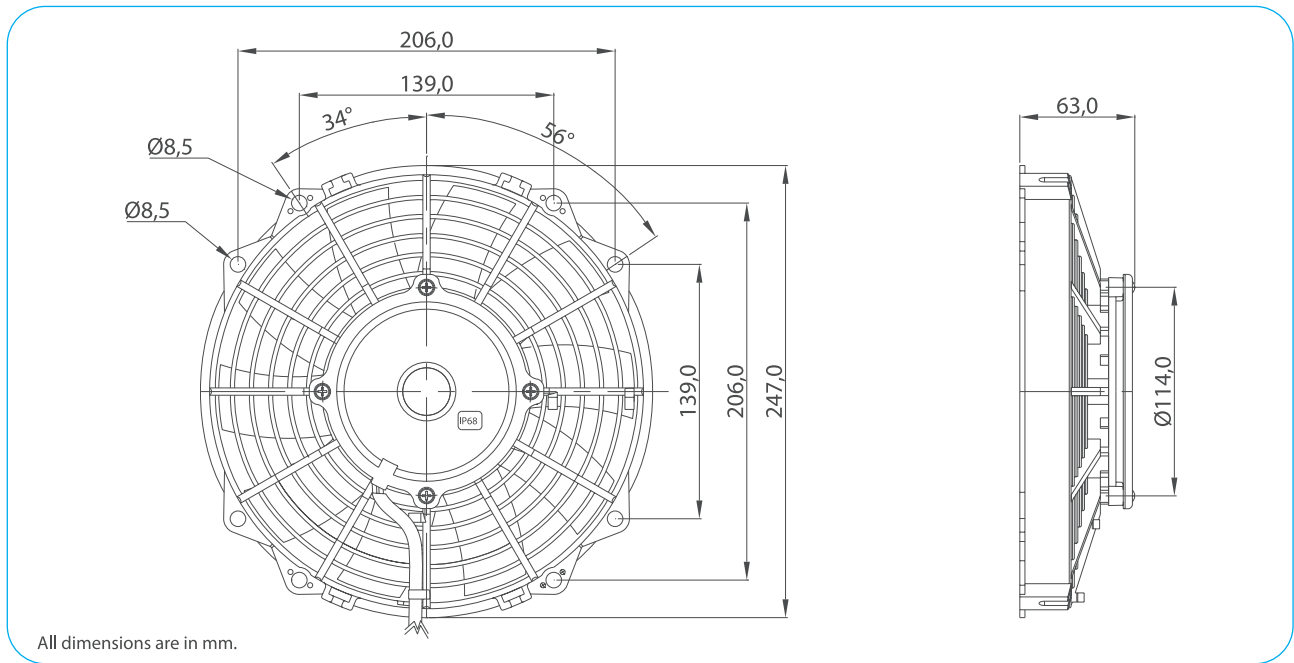


Part Numbers	Specifications	Applications	Features	Options
<b>6403310</b> PUSHER / PULLER	<b>DIAMETER 9" (225 mm)</b> <b>LOW PROFILE</b> <b>24V 130W</b>	HVAC Systems	Waterproof, IP68 (LL) Long Life Reversible Airflow High Efficiency	Mounting brackets EMC (Certified) Thermal Protector (ELL) Extreme Long Life



Test Voltage	V	26,0
Nominal Current	A	3,8
Nominal Speed	rpm	3.230
Max. St. Pressure	mmH <sub>2</sub> O	27,5
Max. Airflow	m <sup>3</sup> /h	1.200
Weight	kg	1,4



TEST VOLTAGE = 26,0 VDC	Static Pressure	Air Flow Rate	Current
	mm H <sub>2</sub> O	m <sup>3</sup> /h	A
	0,0	1196,8	3,8
	2,5	1138,2	3,9
	5,0	1043,8	4,0
	7,5	947,4	4,1
	10,0	816,3	4,2
	12,5	631,9	4,1
	15,0	444,9	4,1
	20,0	266,5	4,3
25,0	98,3	4,8	
27,5	0,0	5,1	

Static Pressure: 1 mm H<sub>2</sub>O = 0,04in H<sub>2</sub>O = 9,8 Pa  
Air Flow Rate: 1 m<sup>3</sup>/h = 0,59 cfm

