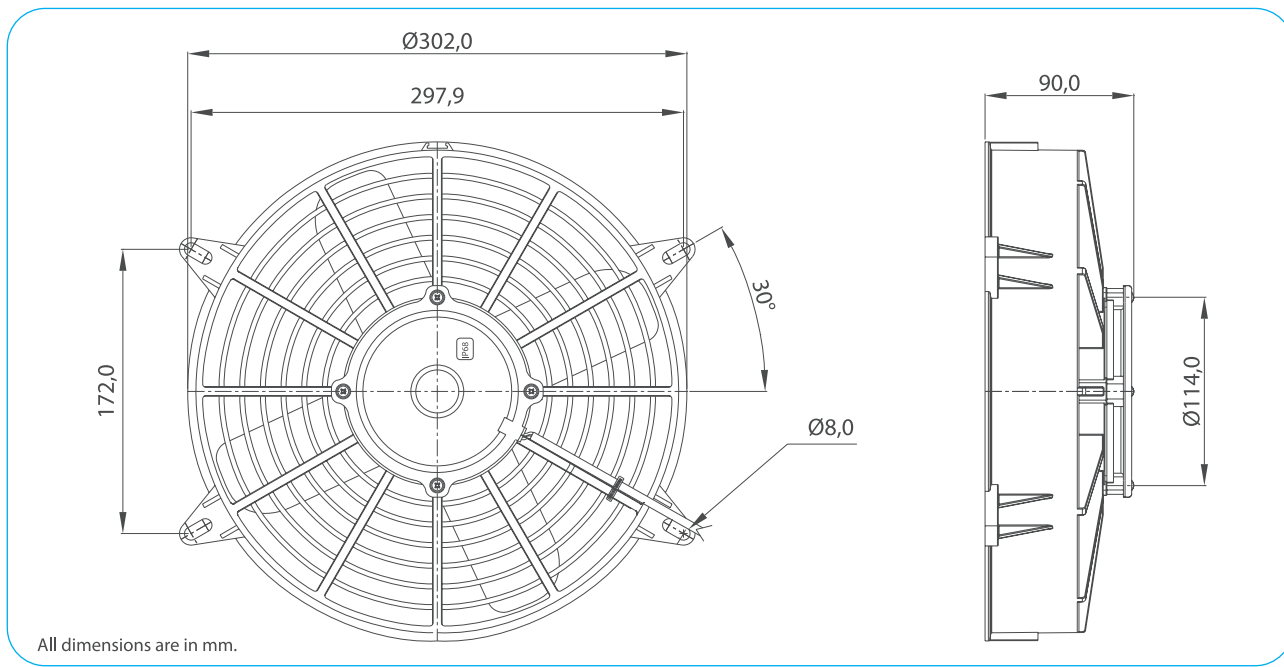


| Part Numbers | Specifications | Applications | Features | Options |
|-----------------------------------|--|--------------|---|--|
| 6403488 PUSHER / PULLER | DIAMETER 11" (280 mm) HIGH PROFILE 24V 225W | HVAC Systems | Waterproof, IP68 (LL) Long Life Reversible Airflow High Efficiency | Mounting brackets EMC (Certified) Thermal Protector (ELL) Extreme Long Life |



| | | |
|-------------------|--------------------|-------|
| Test Voltage | V | 26,0 |
| Nominal Current | A | 7,0 |
| Nominal Speed | rpm | 3.000 |
| Max. St. Pressure | mmH ₂ O | 40,0 |
| Max. Airflow | m ³ /h | 2.260 |
| Weight | kg | 2,4 |



| TEST VOLTAGE = 26,0 VDC | Static Pressure | Air Flow Rate | Current |
|-------------------------|---------------------|-------------------|---------|
| | mm H ₂ O | m ³ /h | A |
| | 0,0 | 2265,6 | 6,8 |
| | 2,5 | 2217,4 | 6,9 |
| | 5,0 | 2144,6 | 7,0 |
| | 10,0 | 1806,2 | 7,2 |
| | 15,0 | 1172,3 | 7,3 |
| | 20,0 | 836,6 | 7,8 |
| | 25,0 | 658,5 | 8,2 |
| | 30,0 | 463,0 | 8,6 |
| 35,0 | 244,5 | 9,2 | |
| 40,2 | 0,0 | 9,9 | |

Static Pressure: 1 mm H₂O = 0,04in H₂O = 9,8 Pa
Air Flow Rate: 1 m³/h = 0,59 cfm

