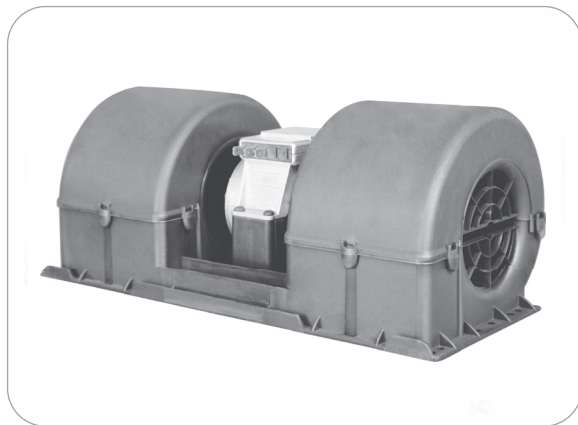
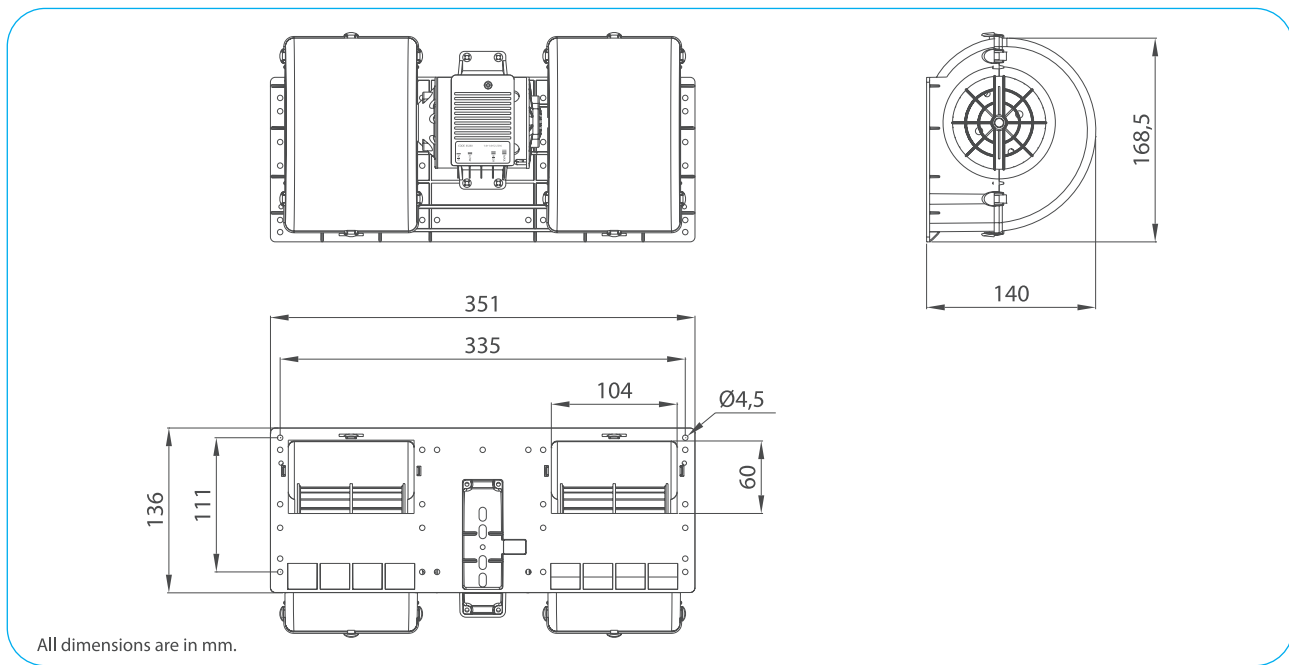


Part Numbers	Specifications	Applications	Features	Options
<b>6401770</b> FOUR SPEED	<b>WIDTH 350 mm</b> <b>1200 m<sup>3</sup>/h</b> <b>24V</b>	HVAC Systems	High Pressure Silent Operation High Efficiency	PWM Speed Control EMC (Certified) Thermal Protector (LL) Long Life Version



Test Voltage	V	26,0
Nominal Current	A	14,0
Nominal Speed	rpm	4.100
Max. St. Pressure	mmH <sub>2</sub> O	91,0
Max. Airflow	m <sup>3</sup> /h	1.160
Weight	kg	2,3
Airflow Rates	%	100-70-57-36



TEST VOLTAGE = 26,0 VDC	Static Pressure	Air Flow Rate	Current
	mm H <sub>2</sub> O	m <sup>3</sup> /h	A
	0,0	1156,8	13,9
	10,0	1082,8	13,1
	20,0	1013,5	12,3
	30,0	929,5	11,5
	40,0	824,1	10,8
	50,0	749,8	10,2
	60,0	605,4	8,7
	70,0	336,9	6,2
80,0	129,7	4,7	
91,3	0,0	4,6	

Static Pressure: 1 mm H<sub>2</sub>O = 0,04in H<sub>2</sub>O = 9,8 Pa  
Air Flow Rate: 1 m<sup>3</sup>/h = 0,59 cfm

