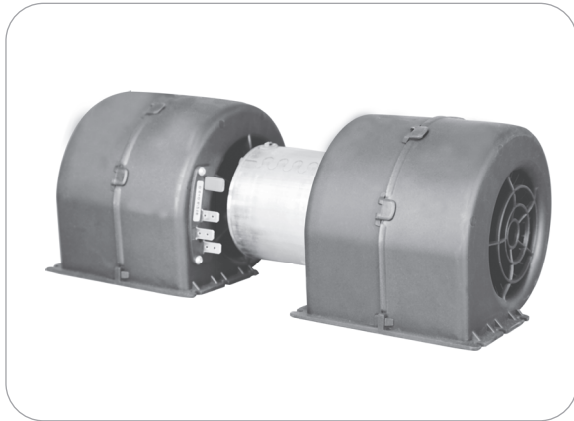
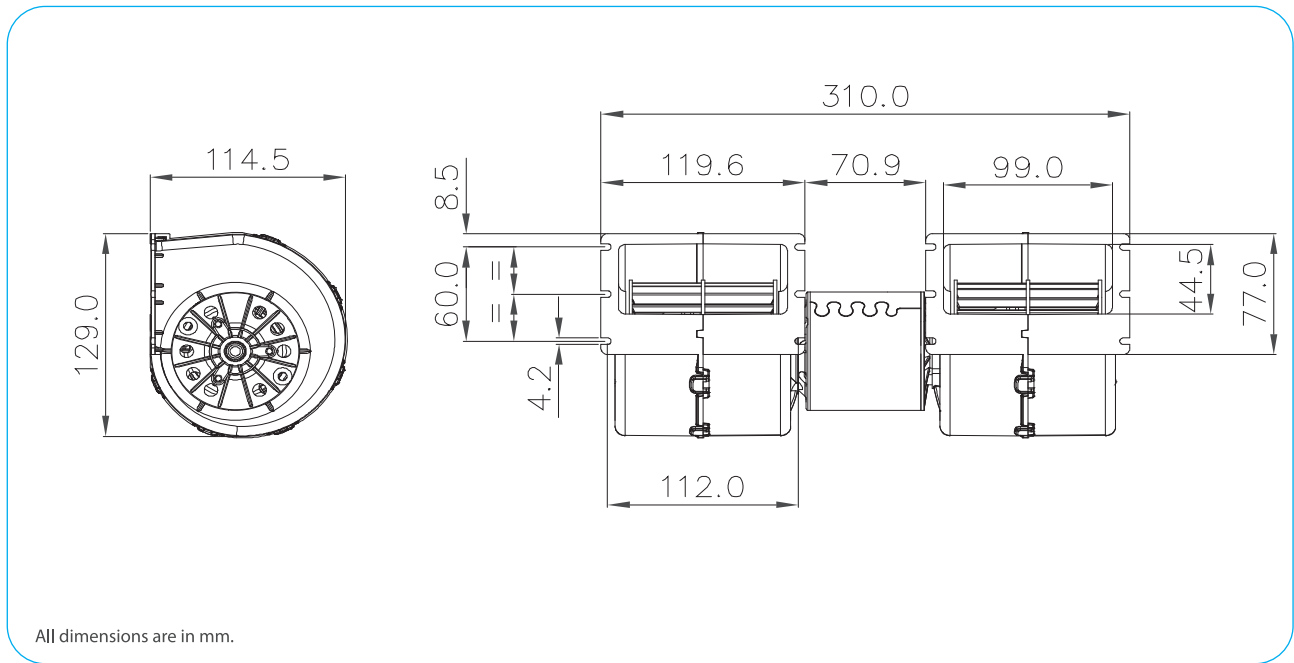


# 2 X SINGLE BLOWERS

Part Numbers	Specifications	Applications	Features	Options
<b>6401819</b> THREE SPEED	<b>WIDTH 310 mm</b> <b>650 m<sup>3</sup>/h</b> <b>24V</b>	HVAC Systems	Waterproof, IP68 (LL) Long Life High Efficiency	Mounting brackets EMC (Certified) Thermal Protector (ELL) Extreme Long Life



Test Voltage	V	26,0
Nominal Current	A	6,5
Nominal Speed	rpm	3.750
Max. St. Pressure	mmH <sub>2</sub> O	560
Max. Airflow	m <sup>3</sup> /h	665
Weight	kg	1,5
Airflow Rates	%	100-70-57



TEST VOLTAGE = 26,0 VDC	Static Pressure	Air Flow Rate	Current
	mm H <sub>2</sub> O	m <sup>3</sup> /h	A
	0,0	627,0	4,6
	5,0	576,4	4,4
	10,0	533,5	4,1
	15,0	484,6	3,8
	20,0	427,5	3,4
	25,0	342,6	2,9
	30,0	204,5	2,3
	35,0	89,8	1,8
	40,0	19,8	1,6
	42,1	0,0	1,6

Static Pressure: 1 mm H<sub>2</sub>O = 0,04in H<sub>2</sub>O = 9,8 Pa  
Air Flow Rate: 1 m<sup>3</sup>/h = 0,59 cfm

