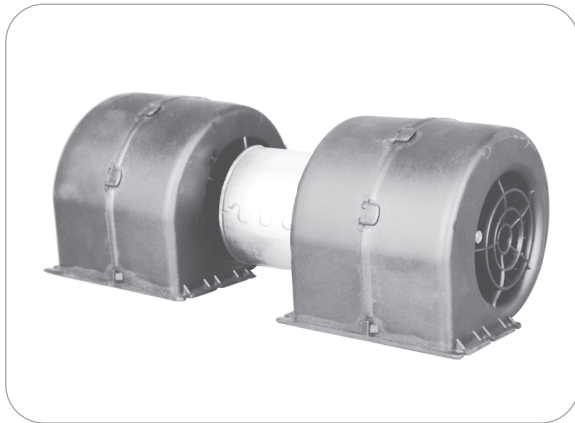
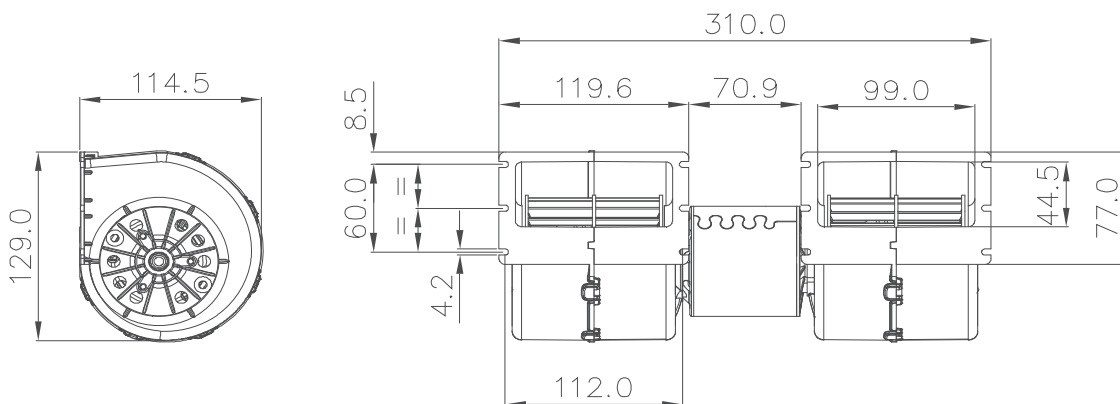


Part Numbers	Specifications	Applications	Features	Options
<b>6401820</b> ONE SPEED	<b>WIDTH 310 mm</b> <b>750 m<sup>3</sup>/h</b> <b>12V</b>	HVAC Systems	Waterproof, IP68 (LL) Long Life High Efficiency	Mounting brackets EMC (Certified) Thermal Protector (ELL) Extreme Long Life



Test Voltage	V	13,0
Nominal Current	A	17,0
Nominal Speed	rpm	4.150
Max. St. Pressure	mmH <sub>2</sub> O	650
Max. Airflow	m <sup>3</sup> /h	745
Weight	kg	1,4



All dimensions are in mm.

TEST VOLTAGE = 13,0 VDC	Static Pressure	Air Flow Rate	Current
	mm H <sub>2</sub> O	m <sup>3</sup> /h	A
	0,0	743,0	17,2
	5,0	711,8	16,6
	10,0	678,8	16,0
	15,0	643,0	15,3
	20,0	604,2	14,6
	30,0	517,7	12,9
	40,0	376,3	10,6
	50,0	198,0	8,2
60,0	66,2	7,0	
66,1	0,0	6,7	

Static Pressure: 1 mm H<sub>2</sub>O = 0,04 in H<sub>2</sub>O = 9,8 Pa  
Air Flow Rate: 1 m<sup>3</sup>/h = 0,59 cfm

