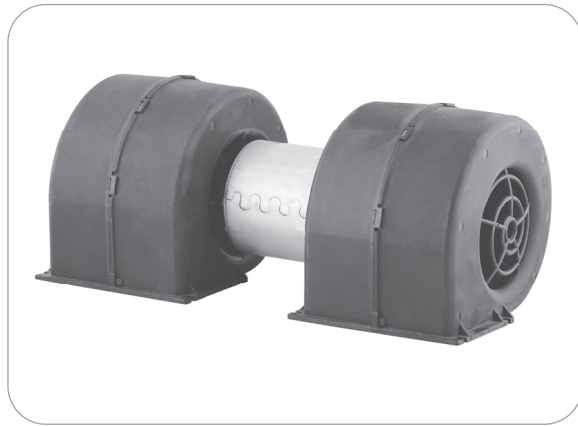
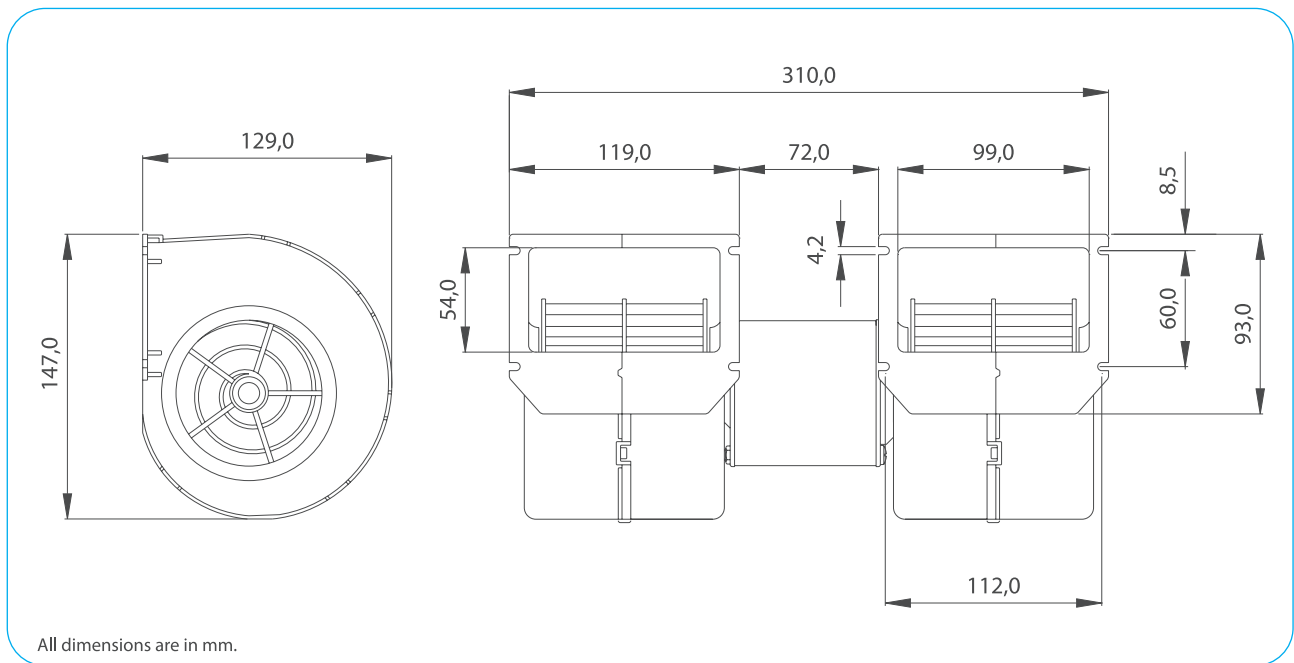


## 2 X SINGLE BLOWERS

Part Numbers	Specifications	Applications	Features	Options
<b>6401561</b> ONE SPEED	<b>WIDTH 310 mm</b> <b>750 m<sup>3</sup>/h</b> <b>24V</b>	HVAC Systems	High Pressure Silent Operation High Efficiency	Speed Control EMC (Certified) Thermal Protector (LL) Long Life Version



Test Voltage	V	26,0
Nominal Current	A	7,5
Nominal Speed	rpm	3.750
Max. St. Pressure	mmH <sub>2</sub> O	53,0
Max. Airflow	m <sup>3</sup> /h	780
Weight	kg	1,8



TEST VOLTAGE = 26,0 VDC	Static Pressure	Air Flow Rate	Current
	mm H <sub>2</sub> O	m <sup>3</sup> /h	A
	0,0	778,2	7,5
	5,0	743,5	7,3
	10,0	707,9	7,0
	15,0	669,3	6,7
	20,0	629,0	6,3
	25,0	584,5	6,0
	30,0	525,5	5,5
	35,0	444,0	4,8
40,0	340,6	4,0	
53,1	0,0	2,1	

Static Pressure: 1 mm H<sub>2</sub>O = 0,04in H<sub>2</sub>O = 9,8 Pa  
Air Flow Rate: 1 m<sup>3</sup>/h = 0,59 cfm

