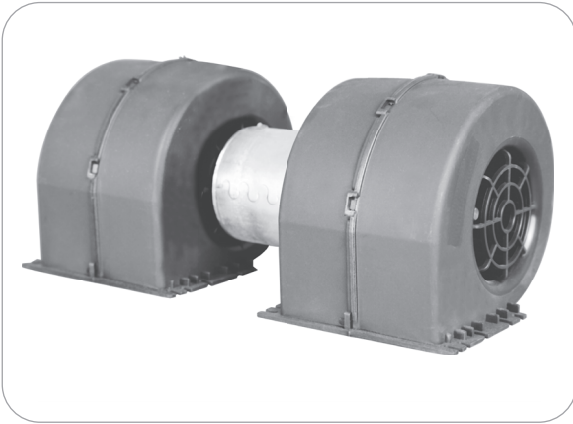
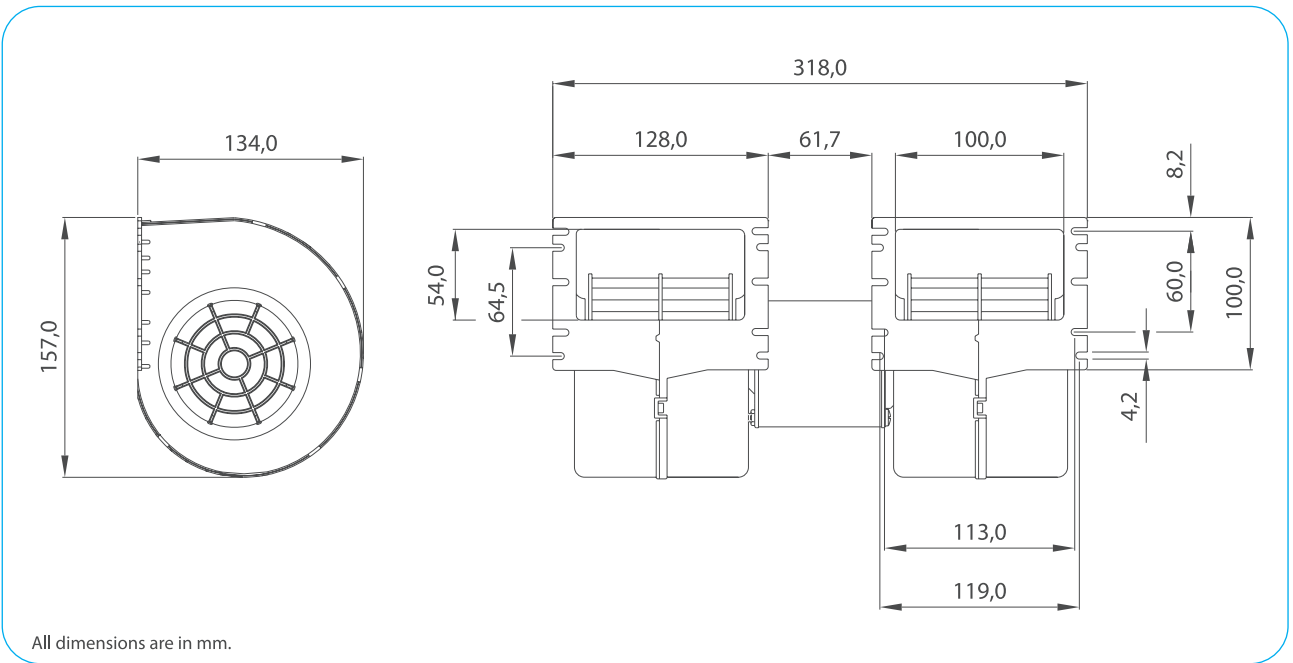


Part Numbers	Specifications	Applications	Features	Options
6401771 ONE SPEED	WIDTH 318 mm 800 m³/h 12V	HVAC Systems	High Pressure Silent Operation High Efficiency	Speed Control EMC (Certified) Thermal Protector (LL) Long Life Version



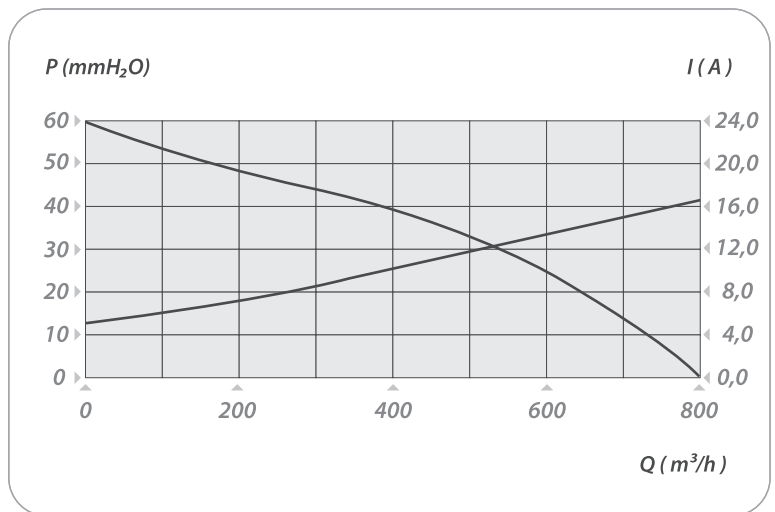
Test Voltage	V	13,0
Nominal Current	A	16,1
Nominal Speed	rpm	3.750
Max. St. Pressure	mmH ₂ O	60,0
Max. Airflow	m ³ /h	800
Weight	kg	1,9



TEST VOLTAGE = 13,0 VDC

Static Pressure	Air Flow Rate	Current
mm H ₂ O	m ³ /h	A
0,0	801,2	15,8
5,0	767,5	15,1
10,0	731,6	14,4
15,0	691,4	13,9
20,0	646,9	13,3
25,0	599,8	12,7
30,0	546,1	11,9
40,0	375,7	9,0
50,0	159,3	5,8
59,8	0,0	4,4

Static Pressure: 1 mm H₂O = 0,04in H₂O = 9,8 Pa
Air Flow Rate: 1 m³/h = 0,59 cfm



2 X SINGLE BLOWERS