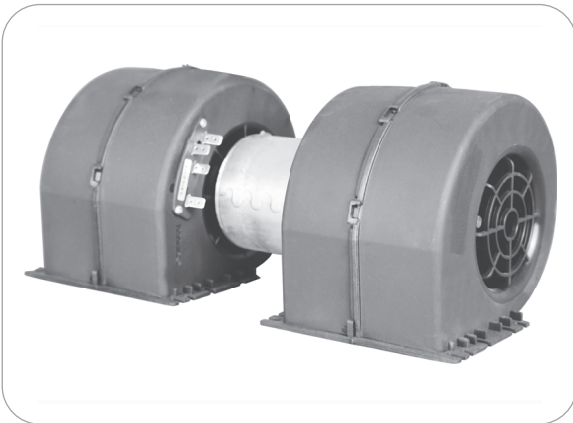
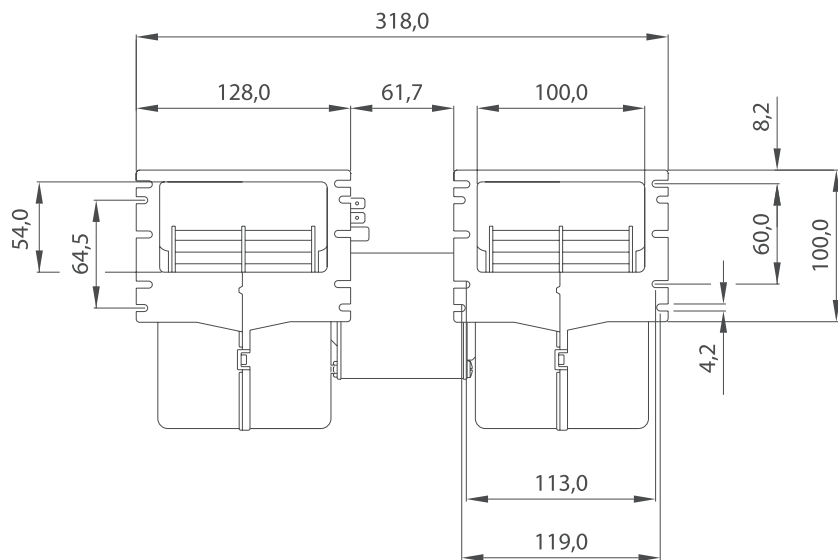
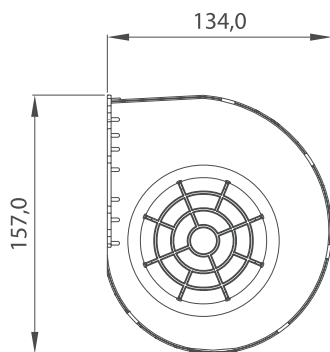


Part Numbers	Specifications	Applications	Features	Options
6401720 THREE SPEED	WIDTH 318 mm 800 m³/h 12V	HVAC Systems	High Pressure Silent Operation High Efficiency	PWM Speed Control EMC (Certified) Thermal Protector (LL) Long Life Version



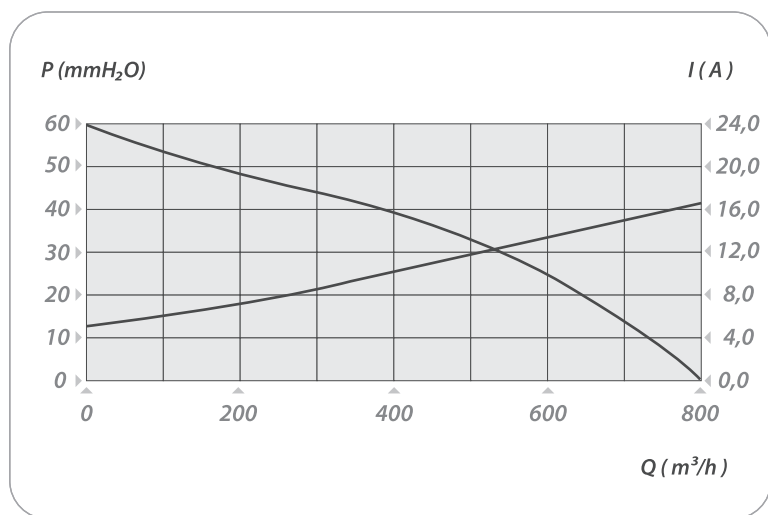
Test Voltage	V	13,0
Nominal Current	A	16,1
Nominal Speed	rpm	3.800
Max. St. Pressure	mmH ₂ O	60,0
Max. Airflow	m ³ /h	800
Weight	kg	2,0
Airflow Rates	%	100-67-53



All dimensions are in mm.

TEST VOLTAGE = 13,0 VDC	Static Pressure	Air Flow Rate	Current
	mm H ₂ O	m ³ /h	A
	0,0	801,2	15,8
	5,0	767,5	15,1
	10,0	731,6	14,4
	15,0	691,4	13,9
	20,0	646,9	13,3
	25,0	599,8	12,7
	30,0	546,1	11,9
	40,0	375,7	9,0
50,0	159,3	5,8	
59,8	0,0	4,4	

Static Pressure: 1 mm H₂O = 0,04in H₂O = 9,8 Pa
Air Flow Rate: 1 m³/h = 0,59 cfm



2 X SINGLE BLOWERS