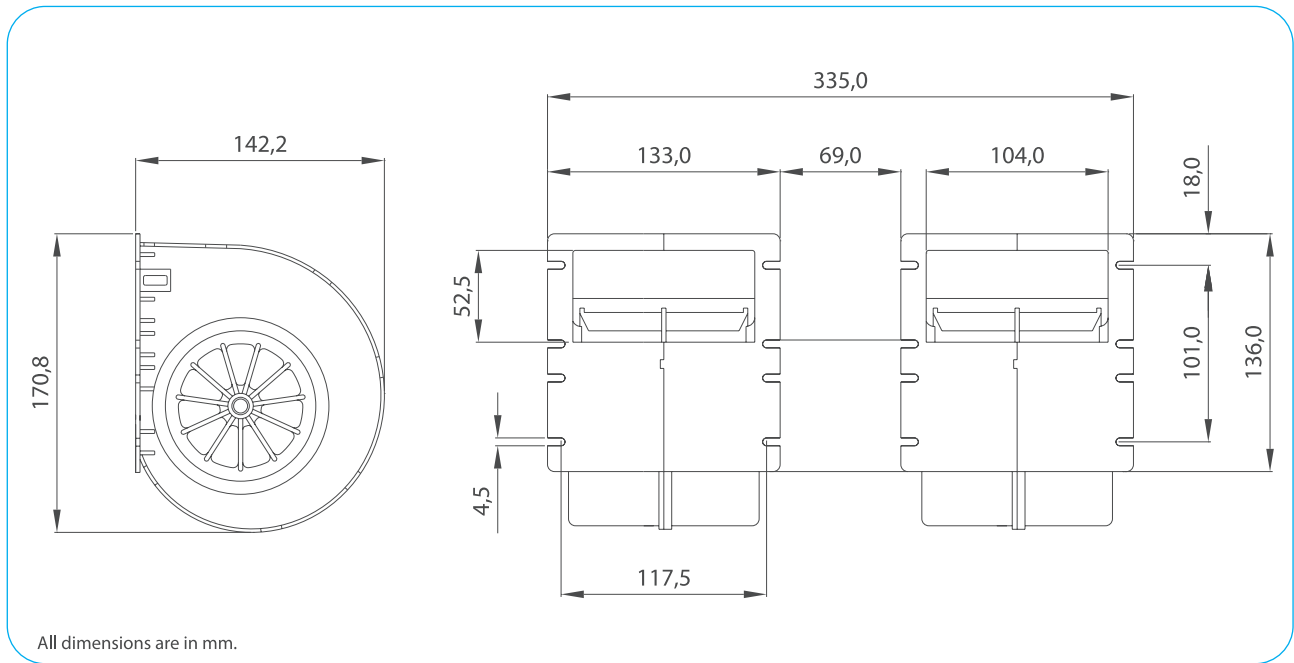


2 X SINGLE BLOWERS

Part Numbers	Specifications	Applications	Features	Options
6401725 THREE SPEED	WIDTH 335 mm 1000 m³/h 24V	HVAC Systems	High Pressure Silent Operation High Efficiency	PWM Speed Control EMC (Certified) Thermal Protector (LL) Long Life Version



Test Voltage	V	26,0
Nominal Current	A	11,5
Nominal Speed	rpm	3.400
Max. St. Pressure	mmH ₂ O	67,0
Max. Airflow	m ³ /h	1.030
Weight	kg	2,3
Airflow Rates	%	100-70-57



TEST VOLTAGE = 26,0 VDC	Static Pressure	Air Flow Rate	Current
	mm H ₂ O	m ³ /h	A
	0,0	1030,1	11,5
	5,0	1001,4	11,2
	10,0	969,5	10,8
	15,0	933,2	10,4
	20,0	891,1	10,0
	30,0	809,3	9,2
	40,0	668,9	7,9
	50,0	393,8	5,3
60,0	145,9	3,7	
67,1	0,0	3,1	

Static Pressure: 1 mm H₂O = 0,04in H₂O = 9,8 Pa
Air Flow Rate: 1 m³/h = 0,59 cfm

