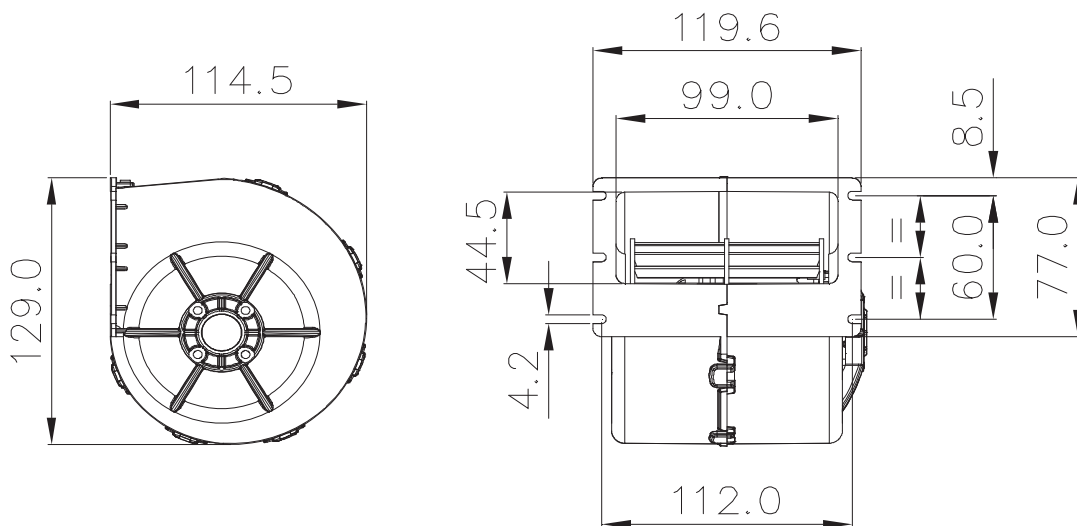


| Part Numbers | Specifications | Applications | Features | Options |
|-----------------------------|--|--------------|---|--|
| 6401813 ONE SPEED | HEIGHT 114 mm 260 m³/h 24V | HVAC Systems | Waterproof, IP68 (LL) Long Life High Efficiency | Mounting brackets EMC (Certified) Thermal Protector (ELL) Extreme Long Life |



| | | |
|-------------------|--------------------|-------|
| Test Voltage | V | 26,2 |
| Nominal Current | A | 2,2 |
| Nominal Speed | rpm | 3.600 |
| Max. St. Pressure | mmH ₂ O | 390 |
| Max. Airflow | m ³ /h | 260 |
| Weight | kg | 0,7 |



All dimensions are in mm.

| TEST VOLTAGE = 26,0 VDC | Static Pressure | Air Flow Rate | Current |
|-------------------------|---------------------|-------------------|---------|
| | mm H ₂ O | m ³ /h | A |
| | 0,0 | 260,0 | 2,3 |
| 2,5 | 253,0 | 2,2 | |
| 5,0 | 246,2 | 2,2 | |
| 10,0 | 227,5 | 2,1 | |
| 15,0 | 198,1 | 2,0 | |
| 20,0 | 172,2 | 1,9 | |
| 25,0 | 141,0 | 1,7 | |
| 30,0 | 102,4 | 1,5 | |
| 35,0 | 51,4 | 1,3 | |
| 39,0 | 0,0 | 1,1 | |

Static Pressure: 1 mm H₂O = 0,04in H₂O = 9,8 Pa
Air Flow Rate: 1 m³/h = 0,59 cfm

