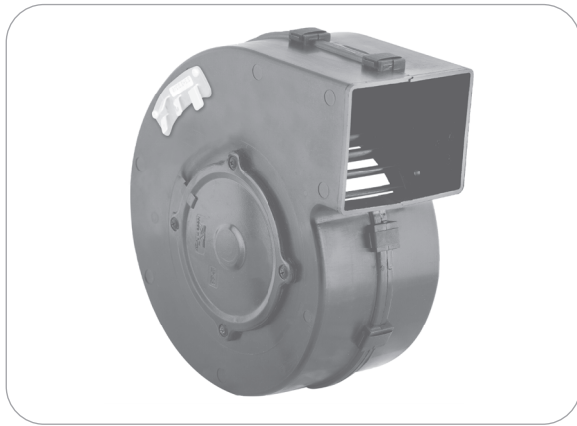
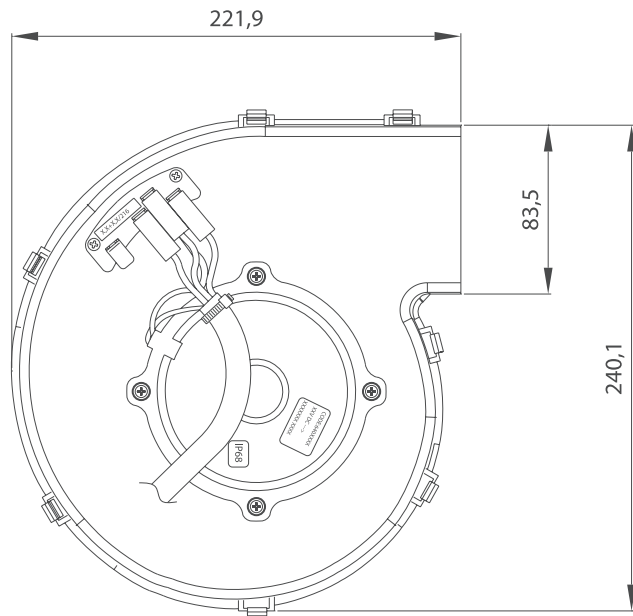
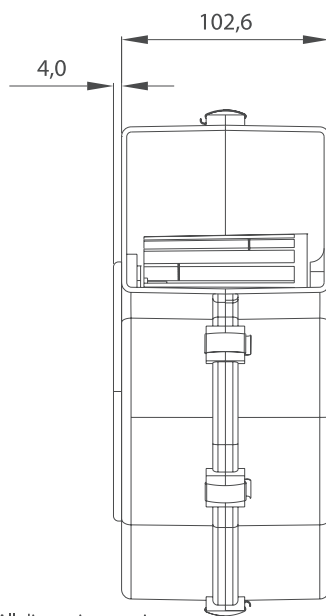


Part Numbers	Specifications	Applications	Features	Options
<b>6401554</b> THREE SPEED / CCW	<b>HEIGHT 222 mm</b> <b>550 m<sup>3</sup>/h</b> <b>12V</b>	HVAC Systems	High Pressure Compact Design High Efficiency	PWM Speed Control EMC (Certified) Thermal Protector



Test Voltage	V	13,0
Nominal Current	A	14,0
Nominal Speed	rpm	2.800
Max. St. Pressure	mmH <sub>2</sub> O	62,0
Max. Airflow	m <sup>3</sup> /h	550
Weight	kg	2,1
Airflow Rates	%	100-68-53



All dimensions are in mm.

SINGLE BLOWERS

TEST VOLTAGE = 13,0 VDC	Static Pressure	Air Flow Rate	Current
	mm H <sub>2</sub> O	m <sup>3</sup> /h	A
	0,0	548,8	13,5
	5,0	524,4	13,1
	10,0	500,2	12,7
	15,0	475,8	12,3
	20,0	451,3	11,9
	25,0	424,1	11,4
	30,0	393,4	10,8
	40,0	300,9	8,9
50,0	163,5	6,5	
61,8	0,0	5,6	

Static Pressure: 1 mm H<sub>2</sub>O = 0,04in H<sub>2</sub>O = 9,8 Pa  
Air Flow Rate: 1 m<sup>3</sup>/h = 0,59 cfm

