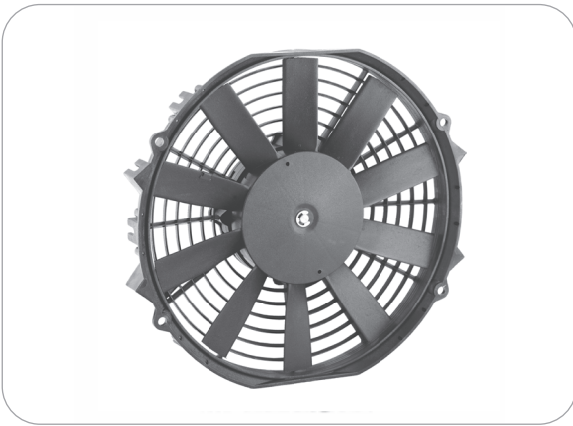
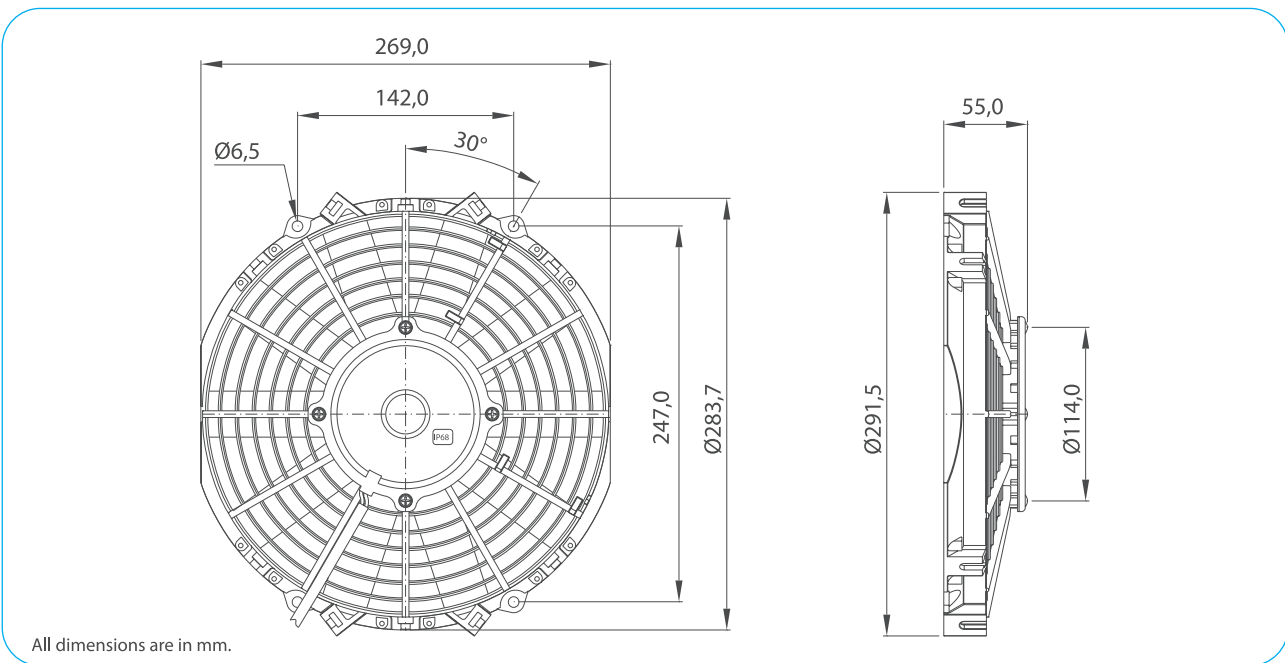


Part Numbers	Specifications	Applications	Features	Options
6402205 PULLER / STR. BLADE	DIAMETER 10" (255 mm)	HVAC Systems	Waterproof, IP68 (LL) Long Life High Efficiency	Mounting brackets EMC (Certified) Thermal Protector (ELL) Extreme Long Life
6402206 PUSHER / STR. BLADE	LOW PROFILE 12V 130W			



Test Voltage	V	13,0
Nominal Current	A	4,3
Nominal Speed	rpm	2.650
Max. St. Pressure	mmH ₂ O	17,0
Max. Airflow	m ³ /h	1.100
Weight	kg	1,3



TEST VOLTAGE = 13,0 VDC	Static Pressure	Air Flow Rate	Current
	mm H ₂ O	m ³ /h	A
	0,0	1096,7	4,3
	2,5	1008,5	4,4
	5,0	890,5	4,6
	7,5	717,0	4,8
	10,0	482,6	4,8
	12,5	286,5	4,8
	15,0	138,2	4,9
	16,8	0,0	5,0

Static Pressure: 1 mm H₂O = 0,04in H₂O = 9,8 Pa
Air Flow Rate: 1 m³/h = 0,59 cfm

