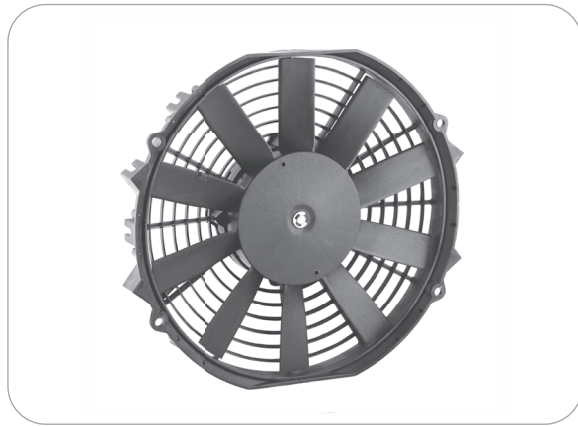
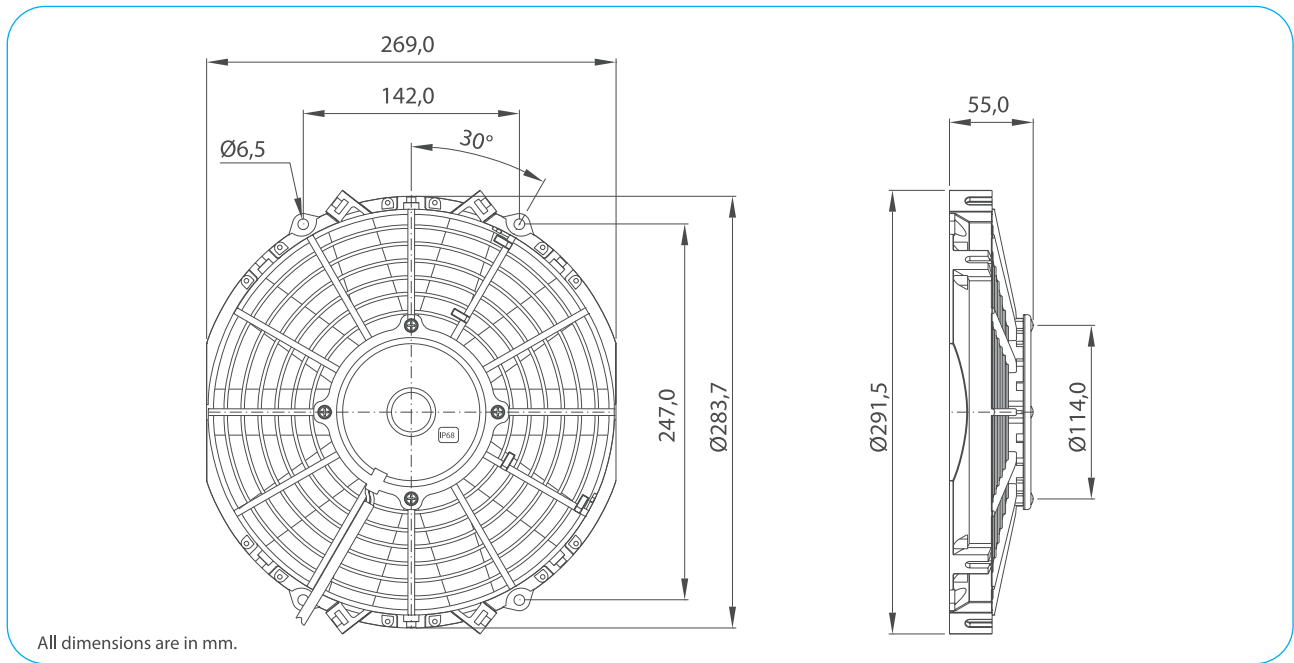


| Part Numbers | Specifications | Applications | Features | Options |
|---------------------------------------|---------------------------------------|--------------|---|--|
| 6402270 PULLER / STR. BLADE | DIAMETER 10" (255 mm) | HVAC Systems | Waterproof, IP68 (LL) Long Life High Efficiency | Mounting brackets EMC (Certified) Thermal Protector (ELL) Extreme Long Life |
| 6402271 PUSHER / STR. BLADE | LOW PROFILE 24V 130W | | | |



| | | |
|-------------------|--------------------|-------|
| Test Voltage | V | 26,0 |
| Nominal Current | A | 2,4 |
| Nominal Speed | rpm | 2.700 |
| Max. St. Pressure | mmH ₂ O | 19,0 |
| Max. Airflow | m ³ /h | 1.190 |
| Weight | kg | 1,3 |



| TEST VOLTAGE = 26,0 VDC | Static Pressure | Air Flow Rate | Current |
|-------------------------|---------------------|-------------------|---------|
| | mm H ₂ O | m ³ /h | A |
| | 0,0 | 1184,9 | 2,4 |
| | 2,5 | 1089,1 | 2,5 |
| | 5,0 | 964,4 | 2,5 |
| | 7,5 | 793,9 | 2,6 |
| | 10,0 | 573,7 | 2,6 |
| | 12,5 | 392,2 | 2,6 |
| | 15,0 | 259,1 | 2,7 |
| | 17,5 | 108,0 | 2,8 |
| 19,1 | 0,0 | 2,8 | |

Static Pressure: 1 mm H₂O = 0,04in H₂O = 9,8 Pa
Air Flow Rate: 1 m³/h = 0,59 cfm

