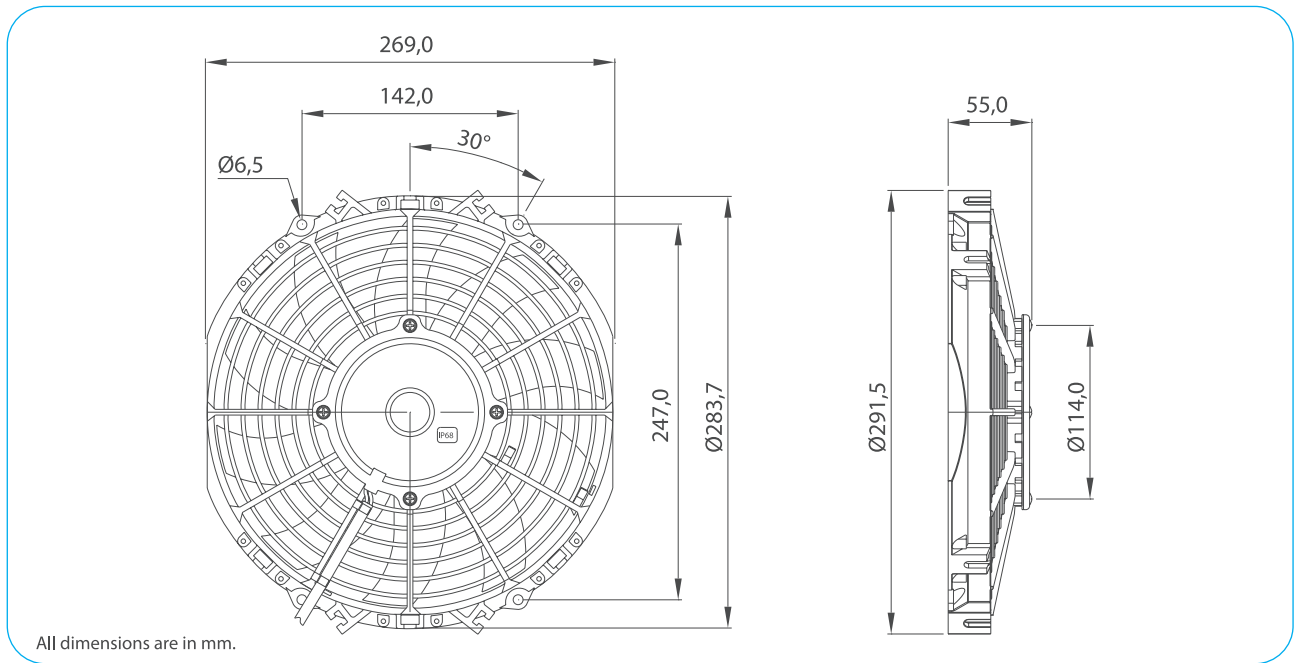


| Part Numbers                       | Specifications                        | Applications | Features  | Options  |
|------------------------------------|---------------------------------------|--------------|---|--|
| <b>6402214</b><br>PULLER / S BLADE | <b>DIAMETER 10" (255 mm)</b>          | HVAC Systems | Waterproof, IP68<br>(LL) Long Life<br>High Efficiency | Mounting brackets<br>EMC (Certified)<br>Thermal Protector<br>(ELL) Extreme Long Life |
| <b>6402215</b><br>PUSHER / S BLADE | <b>LOW PROFILE</b><br><b>24V 130W</b> |              |   |  |



|                   |                    |       |
|-------------------|--------------------|-------|
| Test Voltage      | V                  | 26,0  |
| Nominal Current   | A                  | 3,5   |
| Nominal Speed     | rpm                | 2.850 |
| Max. St. Pressure | mmH <sub>2</sub> O | 27,0  |
| Max. Airflow      | m <sup>3</sup> /h  | 1.450 |
| Weight            | kg                 | 1,3   |



| TEST VOLTAGE = 26,0 VDC | Static Pressure     | Air Flow Rate     | Current |
|-------------------------|---------------------|-------------------|---------|
|                         | mm H <sub>2</sub> O | m <sup>3</sup> /h | A       |
|                         | 0,0                 | 1449,7            | 3,5     |
|                         | 2,5                 | 1388,2            | 3,6     |
|                         | 5,0                 | 1315,9            | 3,7     |
|                         | 7,5                 | 1211,8            | 3,8     |
|                         | 10,0                | 1030,4            | 3,9     |
|                         | 12,5                | 757,5             | 3,9     |
|                         | 15,0                | 505,6             | 3,9     |
|                         | 20,0                | 272,0             | 4,2     |
| 25,0                    | 91,3                | 4,4               |         |
| 27,2                    | 0,0                 | 4,5               |         |

Static Pressure: 1 mm H<sub>2</sub>O = 0,04in H<sub>2</sub>O = 9,8 Pa  
Air Flow Rate: 1 m<sup>3</sup>/h = 0,59 cfm

